



# Production **BASICS**

## PRODUCT SPECIFIER

Ergonomic Workstations & Accessories



# Production **BASICS**

## WORKSTATIONS THAT INSPIRE PRODUCTIVITY.

We'll help you find the right ergonomic workstations for your company. You'll receive innovative solutions that fit your exact specifications for performance, productivity and aesthetics. You'll also get the easiest to assemble, longest lasting, American-made workstations on the market. Then, you can get back to business.



Quad Station



**PedSys Work Bench, Left-Side Storage**



**C-Leg Stations with Add-on Corner**



Since 1995, **PRODUCTION BASICS** has manufactured **ERGONOMIC WORKSTATIONS** and accessories that **INSPIRE PRODUCTIVITY**. We offer a variety of products that are designed to bring **EFFICIENCY, PRODUCTIVITY & PROFESSIONALISM** to your manufacturing, material handling or laboratory environment.



RTW Table with Riser Shelf



**PedSys Work Bench,  
Left and Right Side Storage**



**Electric Station, Dual Leg**



Side-by-Side C-Leg Station



Supply Cart

Workstations are not just **TABLES**, they are **TOOLS FOR PRODUCTIVITY**. An **ORGANIZED**, ergonomic **WORKSPACE** for your operators means a happier, **MORE FOCUSED** employee. It means **GREATER JOB SATISFACTION** and fewer workers' compensation claims in a **GREAT LOOKING FACILITY** that operates at **PEAK EFFICIENCY**.



**C-Leg Series Workstation**



**PedSys Work Bench, Left Side Storage**



**RTW Table with Casters**





PedSys Work Bench, Right Side Storage

Production Basics workstations **START WITH SMART DESIGNS**. We combine **CLEAN LINES** and **SOLID COMPONENTS** to form sturdy, simple workstations that are **BUILT TO LAST**. Using the Basic Bolt, Basic Nut and an allen wrench, you can **BUILD YOUR WORKSTATION** in minutes. You are able to **ADJUST** your workstation **PRECISELY**, a major benefit over common slotted units.

It's time to **DELIVER** some **INSPIRATION** to you. We invite you inside our Product Specifier, where you will **FIND THE WORKSTATIONS** that are **RIGHT FOR YOU**.



PedSys Work Bench, Right Side Storage

<b>C-Leg Series</b>	<b>11</b>
General Information	12
Typical Configurations	13
Application Specific Workstations	14
Product Details	16
Frames & Legs	18
Flow Rack Components	21
<b>RTW Table Series</b>	<b>23</b>
General Information	24
Typical Configurations	25
Application Specific Workstations	26
Product Details	28
<b>Easy-Lift Series</b>	<b>31</b>
General Information	32
Typical Configurations	33
Application Specific Workstations	34
Product Details	36
<b>PedSys Work Bench Series</b>	<b>39</b>
General Information	40
Typical Configurations	41
Application Specific Workstations	42
Product Details	44
Storage Packages	45
<b>Worksurfaces</b>	<b>49</b>
General Information	50
Product Details	51
<b>Accessories</b>	<b>55</b>
General Information	56
Compatibility Chart	57
Lighting	58
Power & Air	59
Organization	60
Enclosures	62
Shelving	64
Drawers & Cabinets	67
C-Leg & Easy Lift, Dual Leg	67
RTW & Easy Lift, 4-post	70
Free Standing Drawer Units	72
Computer Accessories	75
Footrests	76
<b>Custom Options</b>	<b>77</b>
<b>Terms &amp; Conditions, The Fine Print</b>	<b>84</b>
<b>Paint &amp; Laminate Color Samples</b>	<b>inside back cover</b>

The C-Leg Series is the foundation of Production Basics' modular, ergonomic workstations. The rigid back frame is constructed of heavy gauge steel tubing and unistrut channel.

Accessories attach to the channel using the Basic Nut and Basic Bolt. This allows for micro-adjustment of your accessories to the most comfortable position.

Create cells and unique configurations using our station kits or separate components. Our modular double-sided frames and shared legs bring you closer to an ergonomically sound facility that is ready to grow as your business grows.

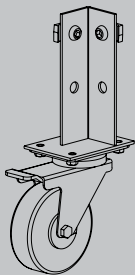


# C-Leg Series

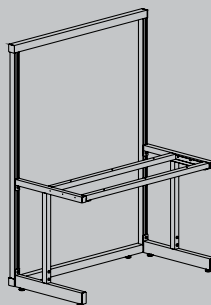
## General Information - C-Leg Series

- Stock color on all C-Leg Stations is Blue with White standard laminate or Grey ESD laminate.
- Other frame colors available upon request at no additional charge are Almond, White, Grey and Black. See inside back cover.
- Other laminate colors available upon request at no additional charge are White, Beige and Grey.
- Station kits include all necessary parts, hardware and instructions needed to assemble and finish the workstation.
- Unless noted, worksurface depth (D) is always specified first in dimension notation. Station width (W) is specified second.
- Standard frame height is 64". For other frame heights, see Component Kits (page 18) or choose components independently.
- Standard height adjustability range is 30-36" in 2" increments. For 36-42" height adjustable legs, choose components independently.
- All metal workstation components are constructed of 11-16 gauge steel.
- Workstation kits noted as "ESD" include ESD laminate and ground bolt.
- Laminate worksurfaces are constructed of 1.25" thick industrial grade particle board. ESD laminate measures within the static dissipative range of  $10^6$  to  $10^9$  ohms to ground.
- Choose accessories for your C-Leg Series workstation on pages 55-76.
- Workstations accommodate up to 24" of vertical drawer space. Under-surface accessories and casters may reduce this range.
- Above-surface usable space is 26"-32" depending on worksurface height.
- C-Leg Series workstations are shipped KD (knocked down) and assembly is required unless otherwise ordered by customer.
- C-Leg Series workstation weight capacity is 750 evenly distributed pounds.
- Custom frame colors are available at an additional charge.
- Custom laminate colors are available at an additional charge.
- For options not specified in this section, review the Custom Options section of this Product Specifier (pages 77-83) or contact Production Basics.

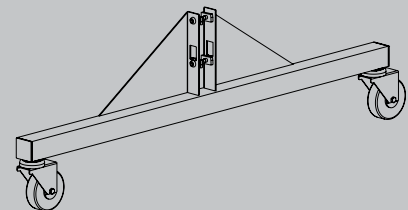
**NEW**



Corner Caster, pg. 17



Component Kit, pg. 18

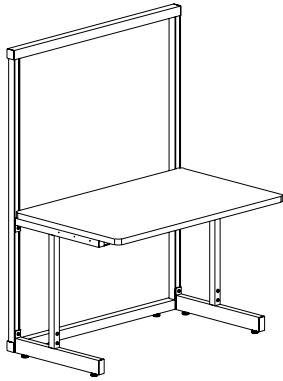


L-Leg with Casters, pg. 20

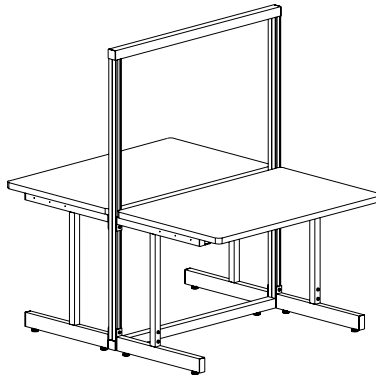


## Typical Configurations - C-Leg Series

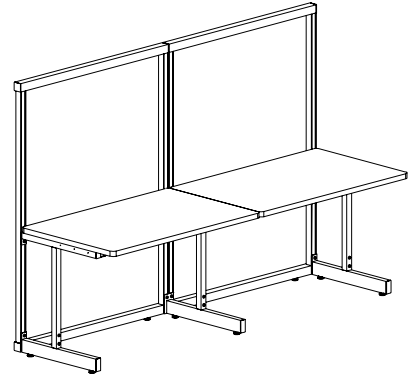
We have included a sampling of popular configurations to help you choose the ideal C-Leg Series workstation. For assistance choosing your workstations, call Production Basics at 800.318.2770.



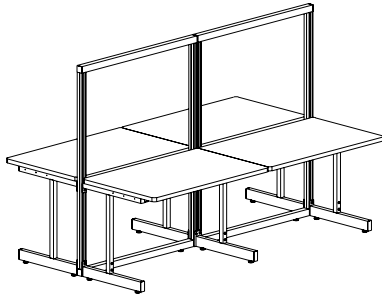
Stand-Alone



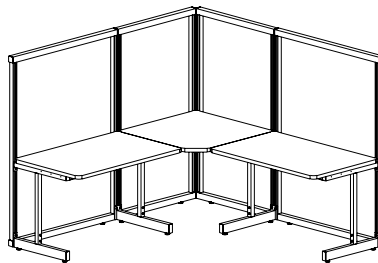
Back-to-Back



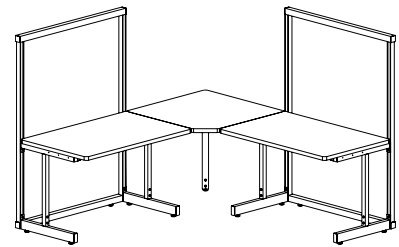
Stand-Alone + Add-on



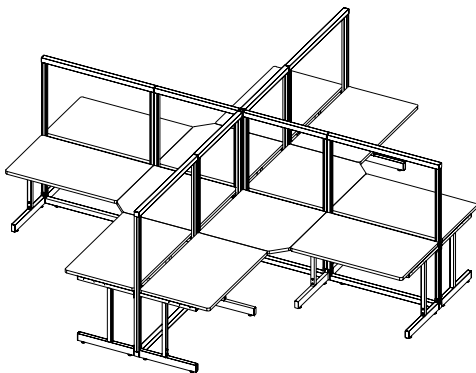
Quad



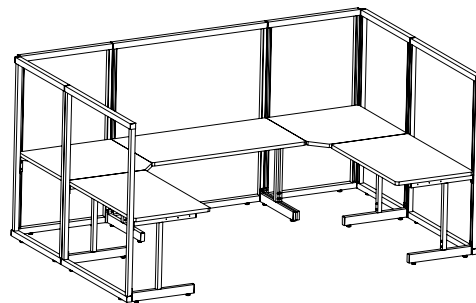
L-Shaped



Open Corner



Corner Quad

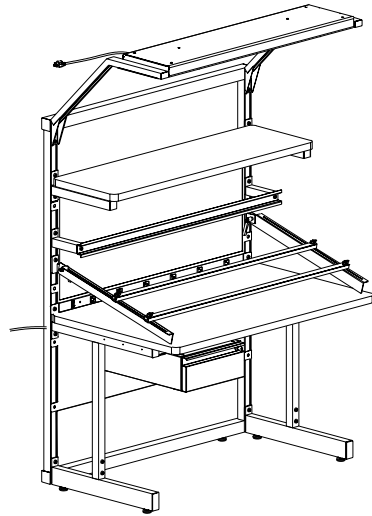


U-Shaped

# C-LEG SERIES> APPLICATION SPECIFIC RECOMMENDATIONS

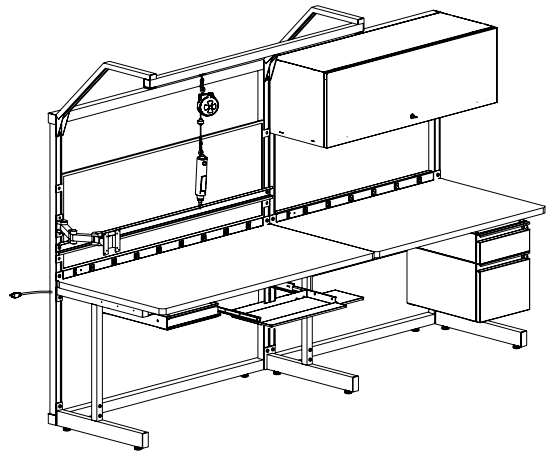
## Electronics Manufacturing

<u>Product Description</u>	<u>Item Number</u>
Stand-Alone C-Leg Station, ESD, 30"D x 48"W	1100
Overhead Light	8500
Laminate Shelf, ESD, 15"D x 48"W	8430
Parts Bin Rail	8300
Bin Rail Extension	8308
Slide Line	8771
Tack Board, Blue	8730-B
Power Rail, 15 amp	8320
6" Drawer	8605
C-Leg Modesty Panel	8709



## Electronics Manufacturing

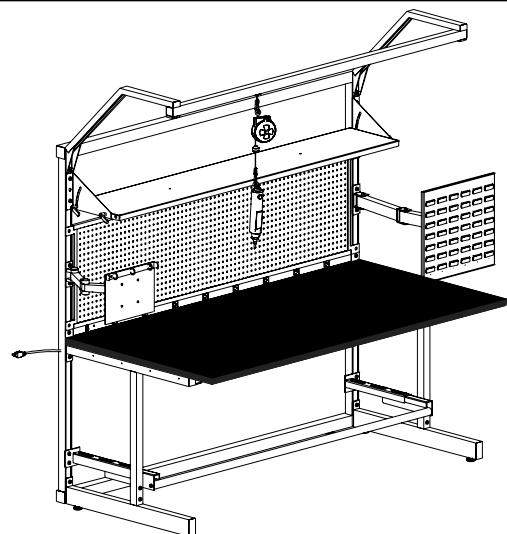
<u>Product Description</u>	<u>Item Number</u>
Stand-Alone C-Leg Station, ESD, 30"D x 60"W	1105
Overhead Arms	8538
Tool Trolley System	8343
Tool Balancer	8357
Flat Screen Monitor Arm	8632
Parts Bin Rail	8303
Power Rail, 15 amp	8323
Tack Board, Blue, 60"W x 20"H	8733-B
Writing Shelf/3" Drawer	8600
Keyboard Drawer	8681
Single-Sided Add-on Station, ESD, 30"D x 48"W	1500
Storage Cabinet	8552
Power Rail, 15 amp	8320
6" Drawer	8605
12" Drawer	8610



*Tool shown not included*

## Assembly & Manufacturing

<u>Product Description</u>	<u>Item Number</u>
C-Leg Series, Component Kit, 30"D x 72"W x 64"H	1609
Phenolic Resin Worksurface, 30"D x 72"W	8003
Overhead Arms	8538
Tool Trolley System	8346
Tool Balancer	8357
Universal Shelf, 12"D x 72"W	8416
Parts Bin Panel, double arm	8627
Peg Board	8724
Power Rail, 20 amp	8327
Binder Holder	8352
Adjustable Tube Footrest	8667

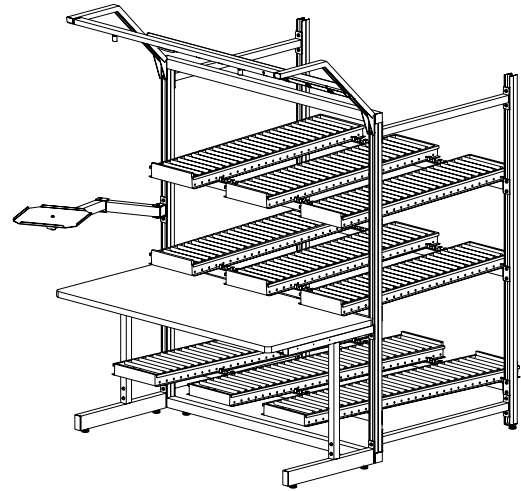


*Tool shown not included*

# C-LEG SERIES> APPLICATION SPECIFIC RECOMMENDATIONS

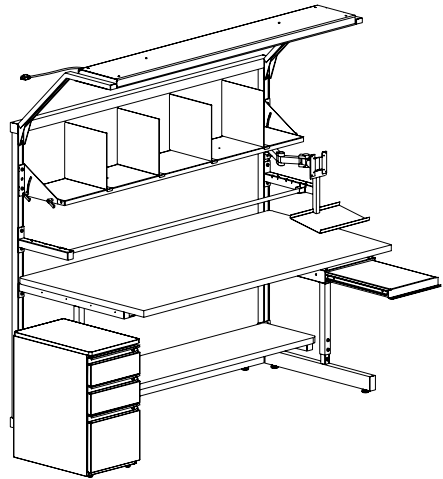
## Material Handling

<u>Product Description</u>	<u>Item Number</u>
Frame, Double-Sided, 60"W x 72"H	8173
Standard Laminate Worksurface, 30"D x 60"W	8053
Worksurface Support Rail, 60"W(2)	8096
Adjustable C-Leg (2)	8280
Flow Rack Upright (2)	1838
High Profile Track, 48"D x 9"W(9)	1861
Track Spacer Bar, 36"D(4)	1832
Retaining Cross Bar (6)	1852
Overhead Arms	8538
Air Rail	8333
Power Rail, 15 amp	8323
Tray Arm, double arm	8631



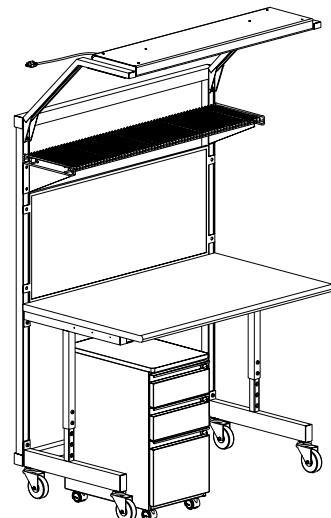
## Material Handling

<u>Product Description</u>	<u>Item Number</u>
C-Leg Series, Component Kit, 36"D x 72"W x 64"H	1618
Stainless Steel, Wrap Edge Worksurface, 36"D x 72"W	7943
Overhead Light, T8	8510
Universal Shelf	8396
Universal Shelf Dividers, set of four (4)	8984
Flat Screen Monitor Arm	8632
Flat Screen Monitor Arm Add-on Keyboard	8633
Paper Roll Holder	8743
Writing Shelf/3" Drawer	8600
Laminate Under-surface Shelf	8446
Free Standing Drawer Units, 2-6" + 1-12" drawer	8570

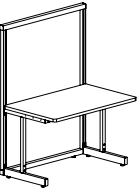
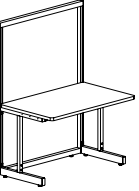
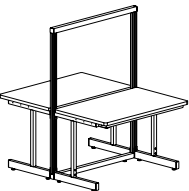
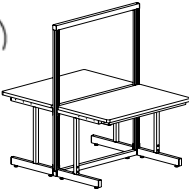
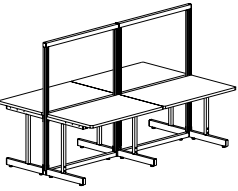
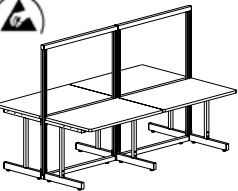
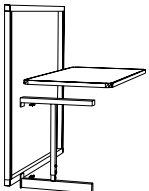


## Laboratory

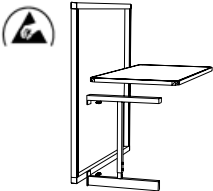
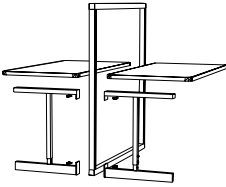
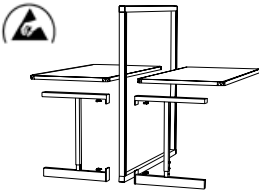
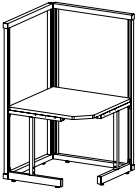
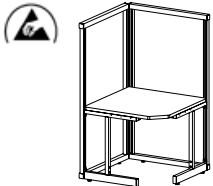
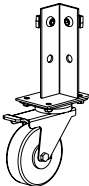
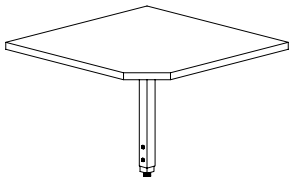
<u>Product Description</u>	<u>Item Number</u>
C-Leg Series, Component Kit, 30"D x 48"W x 72"H	1627
C-Leg Series Caster Option	8970
Bullnose Laminate Worksurface, 30"D x 48"W	7966
Overhead Light	8500
Wire Shelf	8400
Magnetic Dry Erase Board	8717
Free Standing Drawer Units, 2-6" + 1-12" drawer	8570
Free Standing Drawer Caster Option	8969



Product Details

Product Details	Description	Dimensions	Item Number	Notes
	<p><b>Stand-Alone C-Leg Station</b> Create your ideal workstation starting with this kit. This package includes a laminate worksurface along with all the necessary components and hardware to construct a single station. Appropriate for all applications. Frame height is 64".</p>	30"D x 36"W	1003	
		30"D x 48"W	1000	
		30"D x 60"W	1005	
		30"D x 72"W	1010	
		36"D x 36"W	1004	
		36"D x 48"W	1001	
	<p><b>Stand-Alone C-Leg Station, ESD</b> Create your ideal workstation starting with this kit. This package includes an ESD laminate worksurface along with all the necessary components and hardware to construct a single station. Appropriate for all applications. Frame height is 64".</p>	30"D x 36"W	1103	• includes standard ground bolt & wire
		30"D x 48"W	1100	
		30"D x 60"W	1105	
		30"D x 72"W	1110	
		36"D x 36"W	1104	
		36"D x 48"W	1101	
	<p><b>Back-to-Back C-Leg Station</b> This package includes a double-sided frame for free-standing workbench configurations with opposite worksurfaces. Ships complete with laminate worksurfaces, components and hardware. Frame height is 64".</p>	30"D x 36"W	1043	
		30"D x 48"W	1040	
		30"D x 60"W	1045	
		30"D x 72"W	1050	
		36"D x 48"W	1041	
	<p><b>Back-to-Back C-Leg Station, ESD</b> This package includes a double-sided frame for free-standing workbench configurations with opposite worksurfaces. Ships complete with ESD laminate worksurfaces, components and hardware. Frame height is 64".</p>	30"D x 36"W	1143	• includes standard ground bolt & wire
		30"D x 48"W	1140	
		30"D x 60"W	1145	
		30"D x 72"W	1150	
		36"D x 48"W	1141	
	<p><b>Quad Station</b> This package includes worksurfaces, necessary components and hardware to construct a four-station configuration. Ideal for cell manufacturing. Frame height is 64".</p>	30"D x 36"W	1243	
		30"D x 48"W	1240	
		30"D x 60"W	1245	
		30"D x 72"W	1250	
		36"D x 48"W	1241	
	<p><b>Quad Station, ESD</b> This package includes ESD laminate worksurfaces, necessary components and hardware to construct a four-station configuration. Ideal for cell manufacturing. Frame height is 64".</p>	30"D x 36"W	1343	• includes standard ground bolt & wire
		30"D x 48"W	1340	
		30"D x 60"W	1345	
		30"D x 72"W	1350	
		36"D x 48"W	1341	
	<p><b>Single-Sided Add-on Station</b> Add an additional workstation to a Stand-Alone Station to begin your linear configuration. Includes a laminate worksurface, necessary parts and hardware for construction of the workstation. Frame height is 64".</p>	30"D x 36"W	1403	• requires Stand-Alone C-Leg Station
		30"D x 48"W	1400	
		30"D x 60"W	1405	
		30"D x 72"W	1410	
		36"D x 48"W	1401	

Product Details

Product Details	Description	Dimensions	Item Number	Notes
	<b>Single-Sided Add-on Station, ESD</b> Add an additional workstation to a Stand-Alone ESD Station to begin your linear configuration. Includes an ESD laminate worksurface, necessary parts and hardware for construction of the workstation. Frame height is 64".	30"D x 36"W	1503	<ul style="list-style-type: none"> <li>requires Stand-Alone ESD C-Leg Station</li> <li>includes standard ground bolt &amp; wire</li> </ul>
		30"D x 48"W	1500	
		30"D x 60"W	1505	
		30"D x 72"W	1510	
		36"D x 48"W	1501	
36"D x 60"W	1506			
36"D x 72"W	1511			
	<b>Back-to-Back Add-on Station</b> Add a double-sided workstation to a Back-to-Back C-Leg Station. This package includes a double-sided frame for configurations with opposite worksurfaces. Ships complete with laminate worksurfaces, components and hardware. Frame height is 64".	30"D x 36"W	1443	<ul style="list-style-type: none"> <li>requires Back-to-Back C-Leg Station</li> </ul>
		30"D x 48"W	1440	
		30"D x 60"W	1445	
		30"D x 72"W	1450	
		36"D x 48"W	1441	
36"D x 60"W	1446			
36"D x 72"W	1451			
	<b>Back-to-Back Add-on Station, ESD</b> Add another workstation to a Back-to-Back Station. Package includes a double-sided frame for configurations with opposite worksurfaces. Ships complete with ESD laminate worksurfaces, components and hardware. Frame height is 64".	30"D x 36"W	1543	<ul style="list-style-type: none"> <li>requires Back-to-Back ESD C-Leg Station</li> <li>includes standard ground bolt &amp; wire</li> </ul>
		30"D x 48"W	1540	
		30"D x 60"W	1545	
		30"D x 72"W	1550	
		36"D x 48"W	1541	
36"D x 60"W	1546			
36"D x 72"W	1551			
	<b>Stand Alone Corner Station</b> Use this free-standing workstation to create corner or wrap-around configurations. Compatible with standard above-worksurface accessories. Frame height is 64".	30"D x 36"W	1415	<ul style="list-style-type: none"> <li>compatible with 30" deep stations (any width)</li> <li>use 36" wide accessories</li> </ul>
		36"D x 48"W	1416	<ul style="list-style-type: none"> <li>compatible with 36" deep stations (any width)</li> <li>use 48" wide accessories</li> </ul>
	<b>Stand Alone Corner Station, ESD</b> Use this free-standing workstation to create corner or wrap-around configurations with ESD laminate worksurfaces. Compatible with standard above-worksurface accessories. Frame height is 64".	30"D x 36"W	1515	<ul style="list-style-type: none"> <li>compatible with 30" deep stations (any width)</li> <li>use 36" wide accessories</li> <li>includes standard ground bolt &amp; wire</li> </ul>
		36"D x 48"W	1516	<ul style="list-style-type: none"> <li>compatible with 36" deep stations (any width)</li> <li>use 48" wide accessories</li> <li>includes standard ground bolt &amp; wire</li> </ul>
	<b>Stand-Alone Corner Caster Option</b> Add casters to your Stand Alone Corner Station. Includes five (5) 4" locking swivel casters and maintains 30"-36" height adjustment.		8973	<ul style="list-style-type: none"> <li>specify at time of order with Item Numbers 1415-1416 &amp; 1515-1516</li> </ul>
	<b>Add-on Corner Station</b> A simple solution to create corner or wrap-around configurations with Stand-Alone or Back-to-Back Stations. Includes a support leg and worksurface.	30"D x 36"W	1418	<ul style="list-style-type: none"> <li>requires two (2) 30" deep stations (any width)</li> </ul>
		36"D x 48"W	1419	<ul style="list-style-type: none"> <li>requires two (2) 36" deep stations (any width)</li> </ul>

NEW



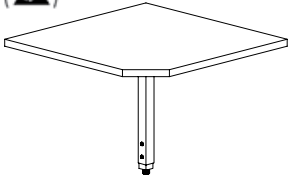
Product Details

Description

Dimensions

Item Number

Notes



**Add-on Corner Station, ESD**

A simple solution to create corner or wrap-around configurations with Stand-Alone or Back-to-Back ESD Stations. Includes a support leg and ESD laminate worksurface.

30"D x 36"W

1518

- requires two (2) 30" deep stations (any width)
- includes standard ground bolt & wire

36"D x 48"W

1519

- requires two (2) 36" deep stations (any width)
- includes standard ground bolt & wire

24"D x 36"W x 64"H

1600

24"D x 48"W x 64"H

1601

24"D x 60"W x 64"H

1602

24"D x 72"W x 64"H

1603

30"D x 36"W x 64"H

1606

30"D x 48"W x 64"H

1607

30"D x 60"W x 64"H

1608

30"D x 72"W x 64"H

1609

36"D x 36"W x 64"H

1615

36"D x 48"W x 64"H

1616

36"D x 60"W x 64"H

1617

36"D x 72"W x 64"H

1618

- worksurface not included

**C-Leg Series, Component Kit**

The Component Kit includes parts and hardware to construct a C-Leg Series workstation without the worksurface. Use an existing worksurface or choose from a variety of materials and sizes offered by Production Basics. Depth dimension refers to recommended worksurface depth.

24"D x 36"W x 72"H

1620

24"D x 48"W x 72"H

1621

24"D x 60"W x 72"H

1622

24"D x 72"W x 72"H

1623

30"D x 36"W x 72"H

1626

30"D x 48"W x 72"H

1627

30"D x 60"W x 72"H

1628

30"D x 72"W x 72"H

1629

36"D x 36"W x 72"H

1635

36"D x 48"W x 72"H

1636

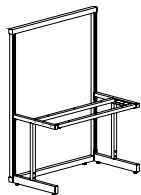
36"D x 60"W x 72"H

1637

36"D x 72"W x 72"H

1638

NEW

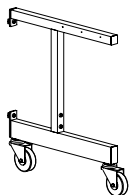


**C-Leg Series Caster Option**

Order with your new C-Leg Series workstation to provide mobility. Leg maintains 30"-36" height adjustment. Includes four (4) 4" diameter casters with locks.

8970

- must specify at time of order with Item Numbers 1000-1551, 1606-1618, 1626-1638



**Frame, Single Sided**

Create your own workstation by starting with the structural core of the Production Basics system. Durable and rigid frames interconnect to form an infinite combination of floor plans.

36"W x 64"H

8107

48"W x 64"H

8109

60"W x 64"H

8121

72"W x 64"H

8133

36"W x 72"H

8111

48"W x 72"H

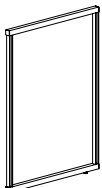
8112

60"W x 72"H

8123

72"W x 72"H

8135



Product Details

Description

Dimensions

Item Number

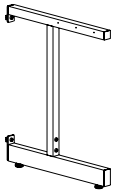
Notes



**Frame, Double-Sided**

Create your own workstation by starting with the structural core of the Production Basics system. Durable and rigid frames interconnect to form an infinite combination of Back-to-Back workstation floor plans.

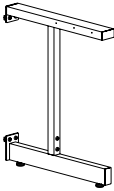
36"W x 64"H	8158
48"W x 64"H	8159
60"W x 64"H	8171
72"W x 64"H	8183
36"W x 72"H	8162
48"W x 72"H	8163
60"W x 72"H	8173
72"W x 72"H	8185



**Adjustable C-Leg**

Use the C-Leg for Stand- Alone workstations to support the end stations in a multi-station configuration. Two (2) required.

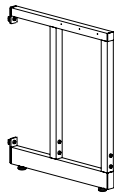
for 24"D worksurfaces	8282	• 30-36" height adjustment
for 30"D worksurfaces	8280	
for 36"D worksurfaces	8286	
for 24"D worksurfaces	8277	• 36-42" height adjustment
for 30"D worksurfaces	8278	
for 36"D worksurfaces	8279	



**Adjustable 2C-Leg**

Use the 2C-Leg with casters to join side-by-side workstations.

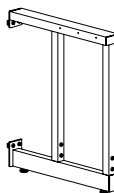
for 24"D worksurfaces	8287	• 30-36" height adjustment
for 30"D worksurfaces	8285	
for 36"D worksurfaces	8289	



**Adjustable B-Leg**

B-Legs feature an additional vertical member that will support up to 1000 lbs. Use for Stand-Alone workstations or to support the end stations in a multi-station configuration. Two (2) required.

for 24"D worksurfaces	8230	• 30-36" height adjustment
for 30"D worksurfaces	8232	
for 36"D worksurfaces	8234	



**Adjustable 2B-Leg**

Use the 2B-Leg to join side-by-side B-Leg stations.

for 24"D worksurfaces	8235	• 30-36" height adjustment
for 30"D worksurfaces	8237	
for 36"D worksurfaces	8239	

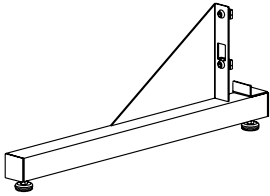
Product Details

Description

Dimensions

Item Number

Notes

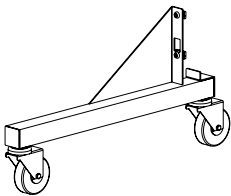


**L-Leg, Single Sided**

Paired with a Frame, L-Legs make it possible for you to set up shelving, overhead tools and other accessories behind an existing workstation or conveyor. Adds 3" to overall frame height.

30"D x 2"W x 3"H

8290 • 1 pair

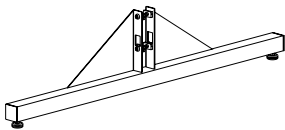


**L-Leg, Single Sided Caster Option**

Paired with a Frame, this caster option makes it possible for you to set up mobile shelving, overhead tools and other accessories behind an existing workstation or conveyor. Adds 7" to overall frame height.

30"D x 2"W x 7"H

8291 ] • 1 pair  
• includes four (4) 4" casters

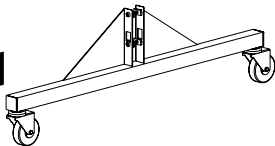


**L-Leg, Double-Sided**

Paired with a Double-Sided Frame, this option allows you to set up shelving, overhead tools and other accessories on opposite sides. Position where needed. Adds 3" to overall frame height.

48"D x 2"W x 3"H

8292 • 1 pair

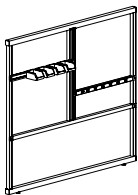


**L-Leg, Double-Sided Caster Option**

Paired with a Double-Sided Frame this option allows you to set up mobile shelving, overhead tools and other accessories on opposite sides. Position behind an existing workstation or conveyor. Adds 7" to overall frame height.

48"D x 2"W x 7"H

8293 ] • 1 pair  
• includes four (4) 4" casters

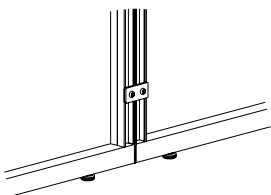


**Frame Splitter**

Divide a 72" wide workstation into two (2) 36" wide sections for greater workspace flexibility and operator comfort.

72"W x 38"H

8190 • requires 72"W frame



**Frame Interconnect**

Connect two (2) Stand-Alone Stations quickly with this metal plate when new configurations and facility changes are implemented.

8988 • 1 pair

NEW

NEW

Product Details

Description

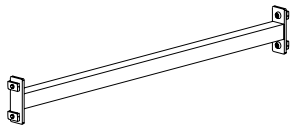
Dimensions

Item Number

Notes

Watch your daily picking and packing efficiency soar with a modular **Flow Rack** system. Improve product accessibility and efficiency with modular component design that keeps parts and supplies nearby. Gravity flow track makes it easy for you to organize and monitor inventory. With the expertise of a Production Basics Workstation Specialist, you can construct the Flow Rack that is most efficient for your operation.

**Track Spacer Bar**



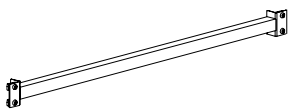
These bars create the proper depth for pick shelves or track. Use with a Double-Sided Frame or Flow Rack Upright.

18"D  
24"D  
36"D  
48"D

1830  
1831  
1832  
1833

• four (4) required per unit

**Standard Cross Bar**



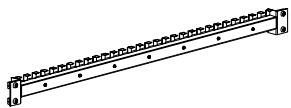
These bars span the width of your rack and support Low Profile Track. Compatible with most brands of conveyor track.

36"W  
48"W  
60"W  
72"W

1840  
1841  
1842  
1843

• 1 cross bar per low profile level required  
• weight capacity is 200 lbs/level

**Retaining Cross Bar**



Used in flow racks to support and prevent track from shifting. For use with High and Low Profile Track.

36"W  
48"W  
60"W  
72"W

1850  
1851  
1852  
1853

• 2 cross bars per high profile level required  
• 1 cross bar per low profile level required  
• includes cross bar & retaining angle  
• weight capacity is 200 lbs/level

**Flow Rack Upright**



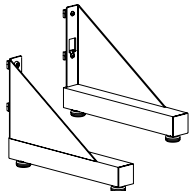
Double-sided uprights support the rear or intermediate sections of the rack set-up. Slim design allows for maximum clearance of track totes while leveling feet ensure solid placement.

72"H

1838

• minimum two (2) required per unit

**Flow Rack L-Leg**



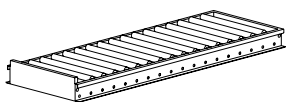
Use these legs with a Frame to create a Flow Rack system. L-Legs make it possible to set up accessories such as shelving and overhead tools behind a conveyor or existing work station in conjunction with your Flow Rack.

15"D x 2"W

8299

• 1 pair

**High Profile Track**



This track is used with Retaining Cross bars and features an integrated front stop for product presentation.

36"D x 9"W  
48"D x 9"W  
60"D x 9"W  
  
36"D x 12"W  
48"D x 12"W  
60"D x 12"W

1860  
1861  
1862  
  
1865  
1866  
1867

• 2" center-to-center rollers  
• add 1" to overall width to accommodate track frame  
• weight capacity is 50 lbs/foot

NEW

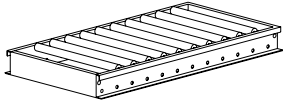
## Product Details

Description

Dimensions

Item Number

Notes



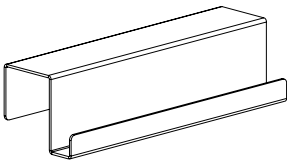
### Low Profile Track

This track is used with a Retaining Cross Bar at the rear and a Track Hook or Pick Shelf at the front. The low profile design maximizes vertical space usage.

30"D x 9"W  
30"D x 12"W

1880  
1881

- 2" center-to-center rollers
- add 1" to overall width to accommodate track frame
- weight capacity is 50 lbs/foot



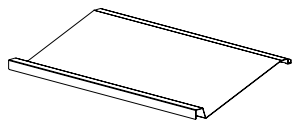
### Low Profile Track Hook

Attaches Low Profile Track to Standard Cross Bar.

9"W  
12"W

1875  
1876

- 1 hook required for front of track
- add 1" to overall width to accommodate track frame



### Low Profile Pick Shelf

Presents items traveling on rack ergonomically, reducing reach area. Integrated lip prevents items from sliding.

18"D x 36"W  
18"D x 48"W  
18"D x 60"W  
18"D x 72"W

1870  
1871  
1872  
1873

- 20 degree slope
- includes Track Hook at rear for Low Profile Track
- compatible only with Low Profile Track



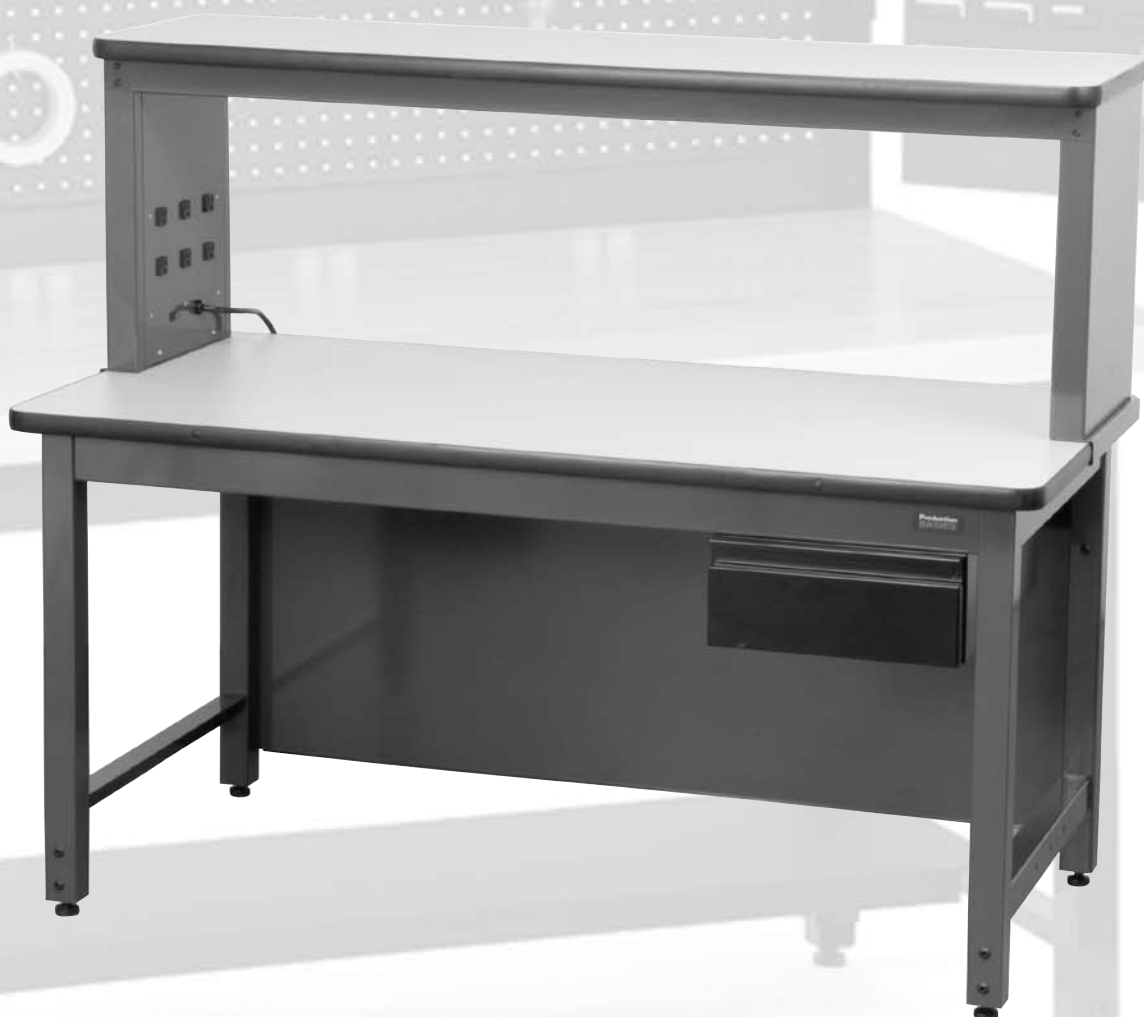
# RTW Table

The RTW Table is a versatile, basic workstation. The height adjustability range of the table provides comfort for almost any employee and proves functional for a variety of tasks in manufacturing, material handling and laboratory environments. The four-post design provides superior stability and simplicity allowing you to focus on productivity.

Select sizes of the RTW Tables are available through our **ZIP**ship program. With **ZIP**ship, we process and ship your RTW Tables within four days of receiving your order for Item Numbers 3005, 3010, 3105 and 3110. Blue frame, White standard or Grey ESD laminate only. Maximum quantities apply.

Install a Riser Shelf to support instruments and equipment above the worksurface. This is a simple way to provide additional workspace and storage. The Riser Shelf is available with ESD laminate and can be integrated with power panels.

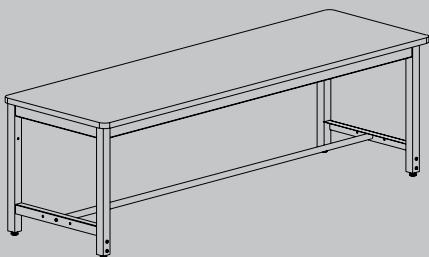
You may also choose Uprights to support accessories. Uprights are easily secured to the back of the RTW table and constructed of unistrut, similar to our signature C-Leg Series frames. Attach accessories with a Basic Nut and Bolt, then micro-adjust your accessories to the most comfortable position.



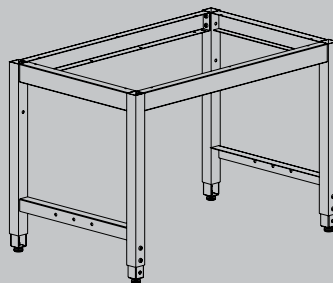
## General Information - RTW Table

- Stock color on all RTW Tables is Blue with White standard laminate or Grey ESD laminate.
- Other frame colors available upon request at no additional charge are Almond, White, Grey, and Black. See inside back cover.
- Other laminate colors available upon request at no additional charge are White, Beige and Grey.
- RTW Table base systems include all necessary parts, hardware and instructions needed to assemble and finish the workstation.
- Unless noted, worksurface depth (D) is always specified first in dimension notation. Station width (W) is specified second.
- Standard height adjustability range is 30-36" in 2" increments. RTW Leg Adjusters with height adjustability of 30-42" are also available. See the product detail in this section.
- All metal workstation components are constructed of 14 gauge steel.
- Workstation kits noted as "ESD" include ESD laminate and ground bolt.
- Laminate worksurfaces are constructed of 1.25" thick industrial grade particle board. ESD laminate measures within the static dissipative range of  $10^6$  to  $10^9$  ohms to ground.
- Choose accessories for your RTW Table on pages 55-76.
- Workstations accommodate up to 24" of vertical drawer space. Under-surface accessories and casters may reduce this range.
- RTW Tables are shipped KD (knocked down) and assembly is required unless otherwise ordered by customer.
- Riser Shelf accessory compatible only with Power Panel, Under-Shelf Light and below-worksurface accessories.
- RTW Table weight capacity is 750 pounds, evenly distributed, unless noted.
- Custom frame colors are available at an additional charge.
- Custom laminate colors are available at an additional charge.
- For options not specified in this section, review the Custom Options section of this Product Specifier (pages 77-83) or call Production Basics.

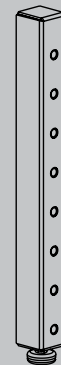
**NEW**



RTW Table- 96"W, pg. 28



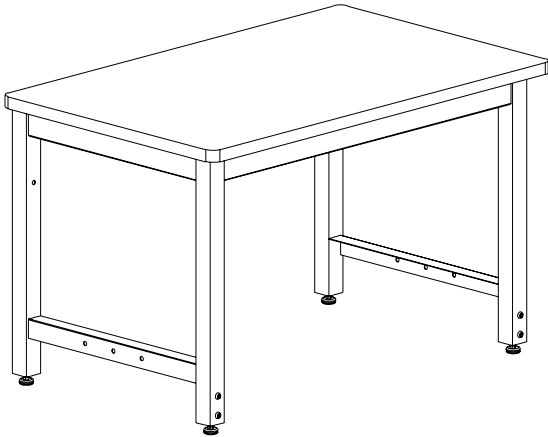
RTW Frame Only , pg. 29



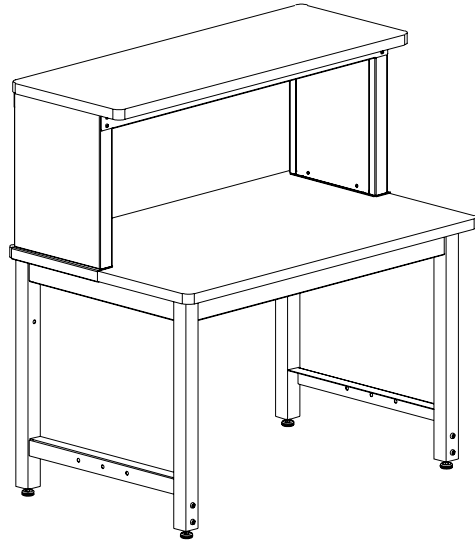
Leg Adjuster- up to 42" high,  
pg. 29

## Typical Configurations - RTW Table

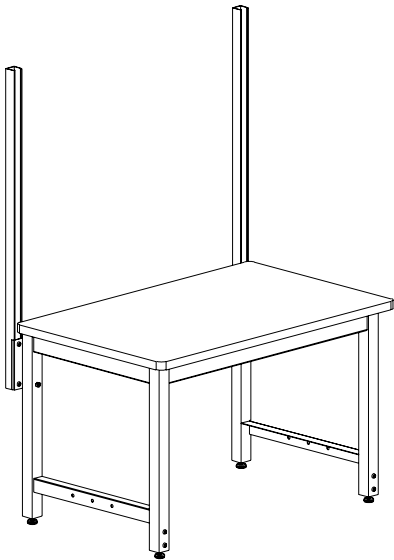
We have included a sampling of popular configurations to help you choose the ideal RTW workstation. For assistance choosing your workstations, call Production Basics at 800.318.2770.



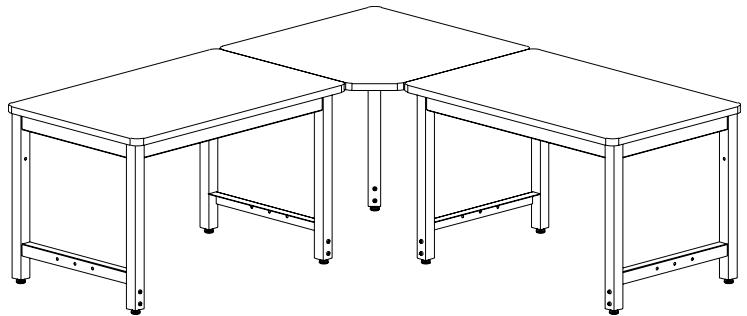
Stand-Alone



RTW with Riser Shelf



RTW Table with Uprights

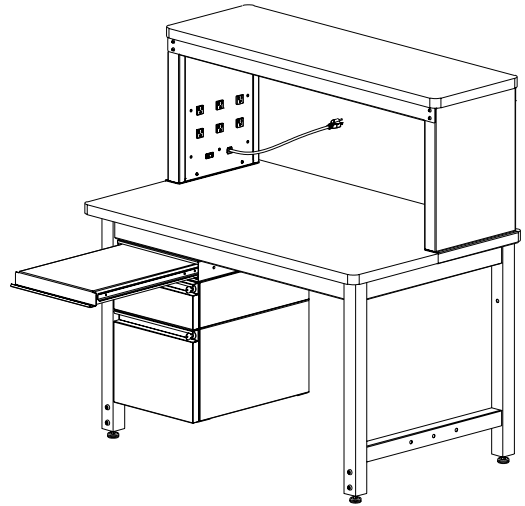


RTW Table Corner Configuration

# RTW TABLE> APPLICATION SPECIFIC RECOMMENDATIONS

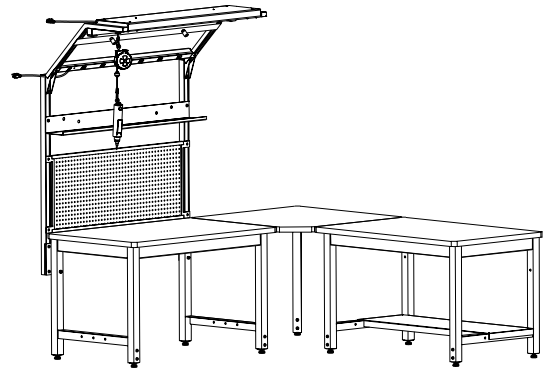
## Electronics Manufacturing

<u>Product Description</u>	<u>Item Number</u>
RTW Table, ESD, 30"D x 48"W	3100
Riser Shelf, ESD, 18"D x 48"W	8471
Riser Shelf Power Panel, 15 and 20 amp	8328
Writing Shelf/3" Drawer with Mounting Kit	8601
6" Drawer with Mounting Kit	8606
12" Drawer with Mounting Kit	8611



## Assembly & Manufacturing

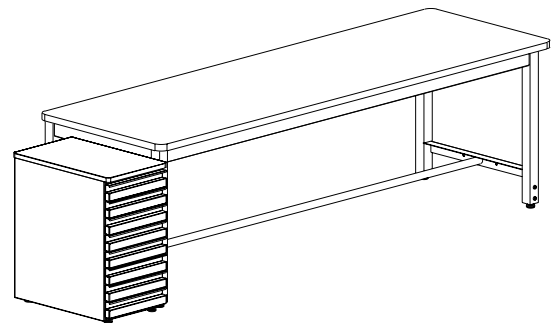
<u>Product Description</u>	<u>Item Number</u>
RTW Table, 30"D x 48"W (2)	3000
Uprights with Mounting Plates	8535
Overhead Light	8500
Tool Trolley System	8340
Tool Balancer	8357
Air Rail	8330
Power Rail, 15 amp	8320
Peg Board	8722
Tool Shelf & Bin Rail	8492
RTW Under-Surface Shelf	8476
Add-on Corner Station	3418



*Tool shown not included*

## Assembly & Manufacturing

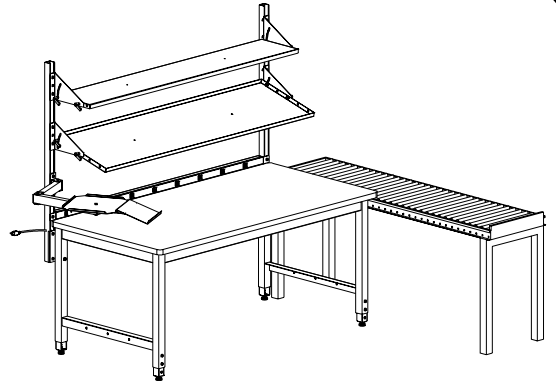
<u>Product Description</u>	<u>Item Number</u>
RTW Table, 30"D x 96"W	3018
Free Standing Drawer Units, 8-3" drawers	8571



# RTW TABLE > APPLICATION SPECIFIC RECOMMENDATIONS

## Material Handling

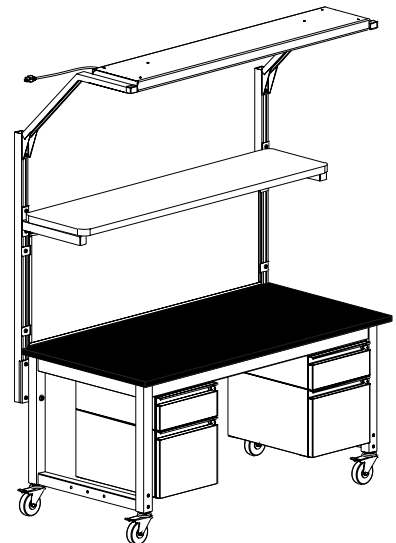
<u>Product Description</u>	<u>Item Number</u>
RTW Table, 36"D x 72"W	3011
Uprights with Mounting Plates	8535
Universal Shelf, 12"D x 72"W	8416
Universal Shelf, 18"D x 72"W	8396
Power Rail, 15 amp	8326
Tray Arm	8631
Tray Arm, Add-on Keyboard Support	8628



*Conveyor not included*

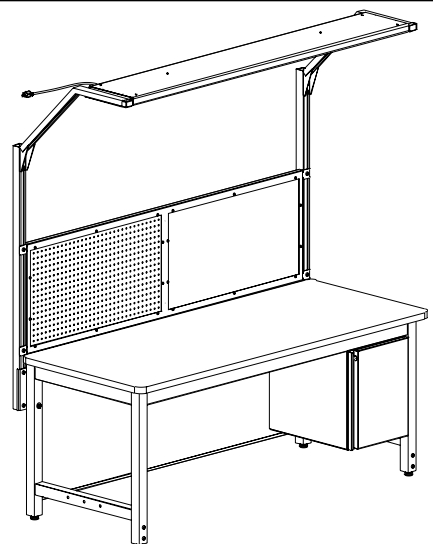
## Laboratory

<u>Product Description</u>	<u>Item Number</u>
RTW Table, Frame Only, 30"D x 60"W	3055
RTW Table Caster Option	8971
Phenolic Resin Worksurface, 30"D x 60"W	8002
Uprights with Mounting Plates	8535
Overhead Light, LED	8516
Laminate Shelf, 15"D x 60"W	8423
6" Drawer with Mounting Kit (2)	8606
12" Drawer with Mounting Kit (2)	8611
Tack Board	8733-G



## Laboratory

<u>Product Description</u>	<u>Item Number</u>
RTW Table, 30"D x 72"W	3010
Uprights with Mounting Plates	8535
Overhead Light, LED	8518
Peg Board/Magnetic Dry Erase Board Multi-Panel, 72"W x 20"H	8789
Modesty Panel	8753
Suspended Cabinet with Mounting Kit	8616



Product Details

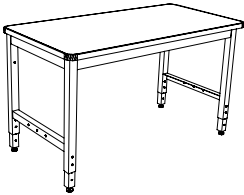
Description

Dimensions

Item Number

Notes

NEW  
SIZE



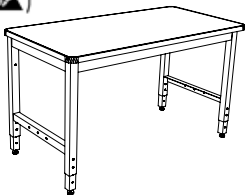
**RTW Table**

A versatile basic workbench with height adjustability and exceptional stability.

24"D x 36"W	3023	
24"D x 48"W	3020	
24"D x 60"W	3025	
24"D x 72"W	3028	
24"D x 96"W	3013	• 72"W frame
24"D x 96"W	3017	• 96"W frame, includes Tube Footrest
30"D x 36"W	3001	
30"D x 48"W	3000	
30"D x 60"W	3005	
30"D x 72"W	3010	
30"D x 96"W	3014	• 72"W frame
30"D x 96"W	3018	• 96"W frame, includes Tube Footrest
36"D x 36"W	3003	
36"D x 48"W	3002	
36"D x 60"W	3007	
36"D x 72"W	3011	
36"D x 96"W	3015	• 72"W frame
36"D x 96"W	3019	• 96"W frame, includes Tube Footrest



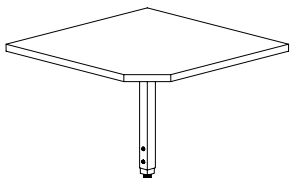
NEW  
SIZE



**RTW Table, ESD**

A versatile basic workbench with height adjustability, exceptional stability and an ESD laminate worksurface. Includes standard ground bolt and wire.

24"D x 36"W	3123	
24"D x 48"W	3120	
24"D x 60"W	3125	
24"D x 72"W	3128	
24"D x 96"W	3113	• 72"W frame
24"D x 96"W	3117	• 96"W frame, includes Tube Footrest
30"D x 36"W	3109	
30"D x 48"W	3100	
30"D x 60"W	3105	
30"D x 72"W	3110	
30"D x 96"W	3114	• 72"W frame
30"D x 96"W	3118	• 96"W frame, includes Tube Footrest
36"D x 36"W	3103	
36"D x 48"W	3102	
36"D x 60"W	3107	
36"D x 72"W	3111	
36"D x 96"W	3115	• 72"W frame
36"D x 96"W	3119	• 96"W frame, includes Tube Footrest



**RTW Add-On Corner**

A simple solution to create corner or wrap-around configurations with RTW Tables. Includes support leg, worksurface and hardware. Requires two (2) RTW Tables.

24"D x 36"W	3417	• compatible with 24"D RTW Tables
30"D x 36"W	3418	• compatible with 30"D RTW Tables
36"D x 48"W	3419	• compatible with 36"D RTW Table

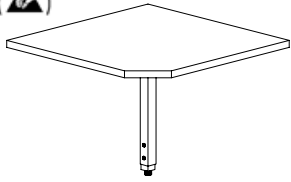
Product Details

Description

Dimensions

Item Number

Notes



**RTW Add-On Corner, ESD**

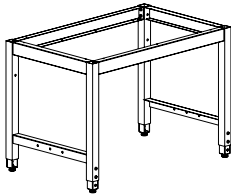
A simple solution to create corner or wrap-around configurations with ESD RTW Tables. Includes support leg, ESD worksurface, hardware and standard ground bolt and wire. Requires two (2) RTW Tables.

24"D x 36"W  
30"D x 36"W  
36"D x 48"W

3517  
3518  
3519

• compatible with 24"D RTW Tables  
• compatible with 30"D RTW Tables  
• compatible with 36"D RTW Tables

NEW



**RTW Table, Frame Only**

Order the durable RTW Table frame and add your own worksurface. Dimensions refer to minimum recommended worksurface size.

24"D x 36"W  
24"D x 48"W  
24"D x 60"W  
24"D x 72"W  
24"D x 96"W  
30"D x 36"W  
30"D x 48"W  
30"D x 60"W  
30"D x 72"W  
30"D x 96"W  
36"D x 36"W  
36"D x 48"W  
36"D x 60"W  
36"D x 72"W  
36"D x 96"W

3033  
3051  
3054  
3064  
3084  
3063  
3050  
3055  
3060  
3085  
3030  
3052  
3057  
3061  
3087

• includes Tube Footrest  
  
• includes Tube Footrest  
  
• includes Tube Footrest

NEW



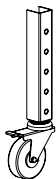
**RTW Leg Adjusters**

This leg will allow 12" of height adjustment in 2" increments on your RTW Table. Specify at time of order or retrofit an RTW in your facility.

8977

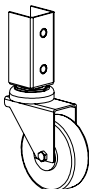
• 30"-42" height adjustment

NEW



**RTW Table Caster Option, Height Adjustable**

Add mobility to your RTW Table. Specifies a specially designed RTW leg that maintains 30"-36" height adjustment in 2" increments. Ships with four (4) 4" thermoplastic casters with swivel locks.



**RTW Table Caster Option**

Add mobility to your RTW Table. Includes four (4) 4" thermoplastic casters with swivel locks. This total-lock feature ensures a rigid workstation. Surface height is fixed at 35".

8971

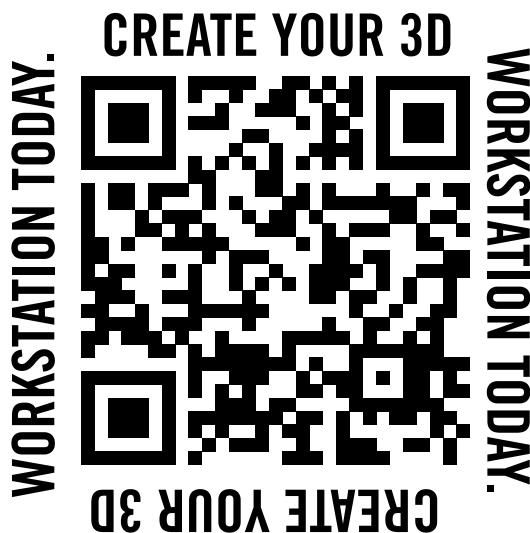
• fixed height at 35"



# Build your Workstation ON-LINE

**[HTTP://3D.PBASICS.COM](http://3d.pbasics.com)**

- Choose workstation **STYLES** and **ACCESSORIES**, add to a **3D WORK BENCH MODEL**.
- **CHANGE** colors and sizes **IN REAL TIME**.
- **SPIN, ROTATE AND ZOOM** in on the workstation to view small details.
- Request a **QUOTE** on-line.



# Easy-Lift Series

The Easy-Lift Series features workstations that are height-adjustable at any time. The worksurface is easily raised or lowered with either a push-button or smooth action crank handle. Easy-Lift Series stations are essential for multi-shift facilities where several employees may be using the same workbench.

Attach accessories to your Easy-Lift Series workstation using Uprights. Uprights are constructed of robust unistrut, similar to our signature C-Leg Series frames.

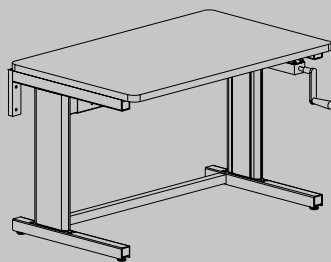
Accessories are attached using the Basic Nut and Bolt allowing for micro-adjustment of your accessories to the most comfortable position.



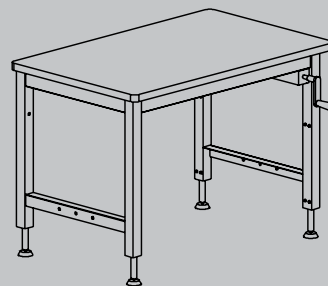
## General Information - Easy-Lift Series

- Stock frame color on all Electric Station, Dual Leg and Hand Crank, Dual Leg Stations is a Black frame with extruded aluminum legs. Worksurface is either White standard laminate or Grey ESD laminate.
- Stock color on all 4-post workstations is Blue with White standard laminate or Grey ESD laminate.
- Other frame colors for 4-post workstations available upon request at no additional charge are Almond, White, Grey, and Black.
- Other laminate colors available upon request at no additional charge are White, Beige and Grey.
- Workstation kits noted as “ESD” include ESD laminate and ground bolt.
- Laminate worksurfaces are constructed of 1.25” thick industrial grade particle board. ESD laminate measures within the static dissipative range of  $10^6$  to  $10^9$  ohms to ground.
- Most Easy Lift Series workstations ship fully assembled, except for accessories.
- Unless noted, worksurface depth (D) is always specified first in dimension notation. Station width (W) is specified second.
- Height adjustability range varies by workstation. See product notes for specific ranges.
- Workstation components are constructed of steel except for extruded aluminum leg.
- Choose accessories for your Easy-Lift Series workstation on pages 55-76.
- Most above surface accessories are compatible with Easy Lift Series using Uprights.
- Weight capacity varies by workstation. See product notes for maximum evenly distributed load specifications.
- Custom frame colors are available at an additional charge.
- Custom laminate colors are available at an additional charge.
- For options not specified in this section, review the Custom Options section of this Product Specifier (pages 77-83) or call Production Basics.

**NEW**



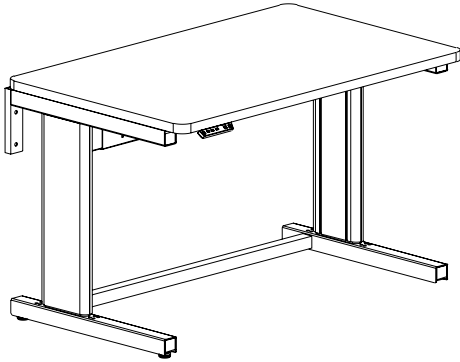
Dual-Leg-Electric &  
Hand Crank, 36"W, pg. 36



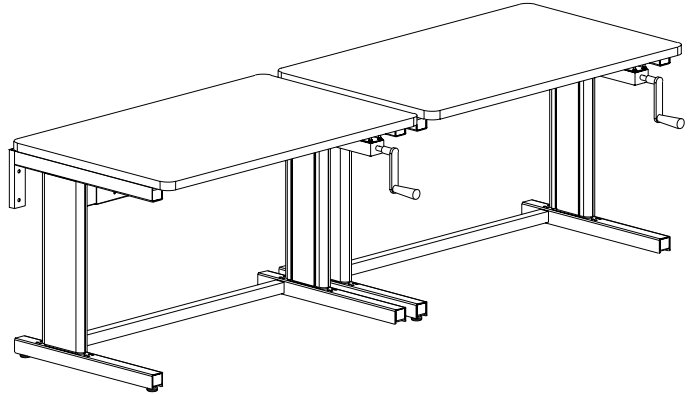
Hand Crank 4-post-36"W, pg. 37

## Typical Configurations - Easy Lift Series

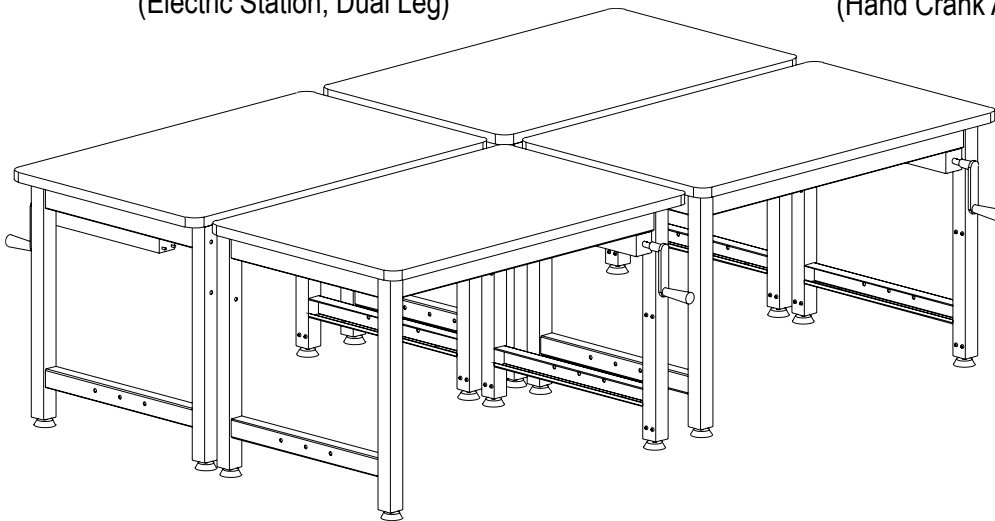
Easy Lift Series workstations are typically independent workstations, or configured in a linear fashion. For assistance choosing your workstation, call us at 800.318.2770.



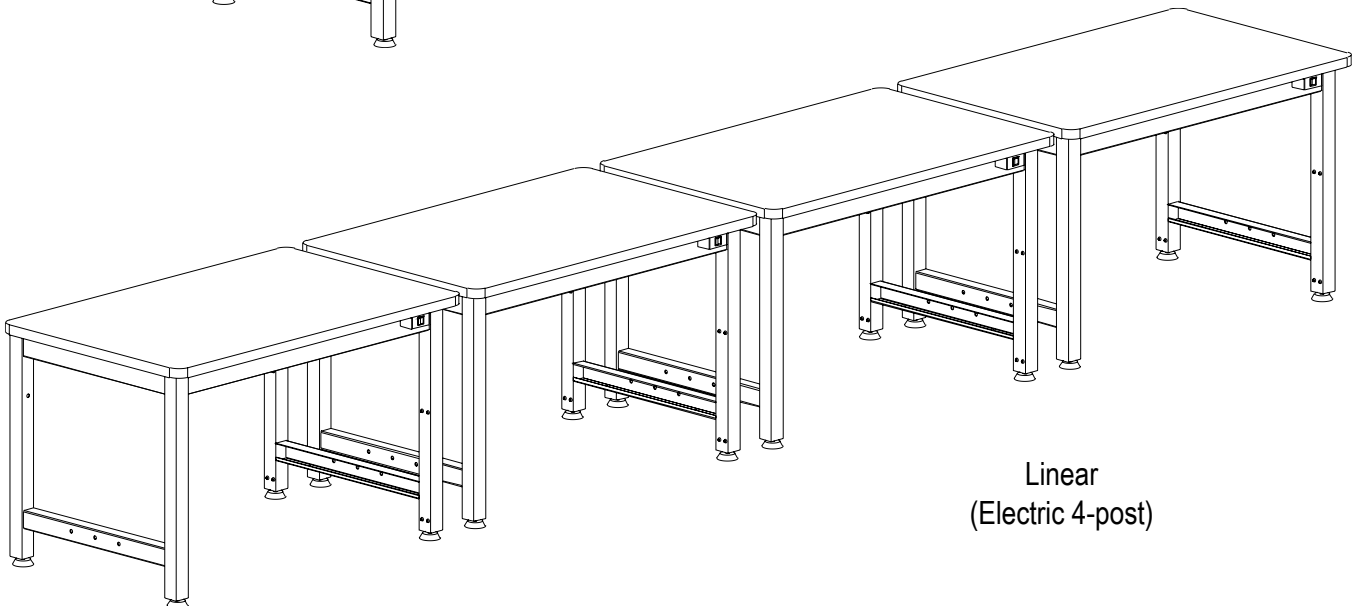
Stand-Alone  
(Electric Station, Dual Leg)



Linear  
(Hand Crank Adjustable Table, Dual Leg)



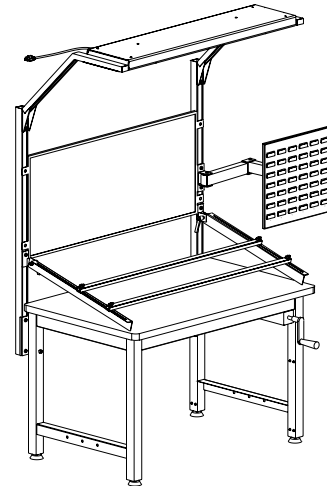
Cell  
(Hand Crank 4-post)



Linear  
(Electric 4-post)

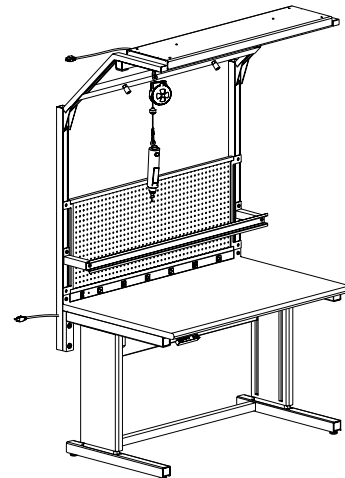
## Electronics Manufacturing

<u>Product Description</u>	<u>Item Number</u>
Hand-Crank Adjustable Table, 4-post, ESD, 30"D x 48"W	2500
Uprights with Mounting Plates	8535
Parts Bin Panel, Double Arm	8627
Slide Line	8771
Tack Board, Grey	8730-G
Overhead Light, LED	8514



## Electronics Manufacturing

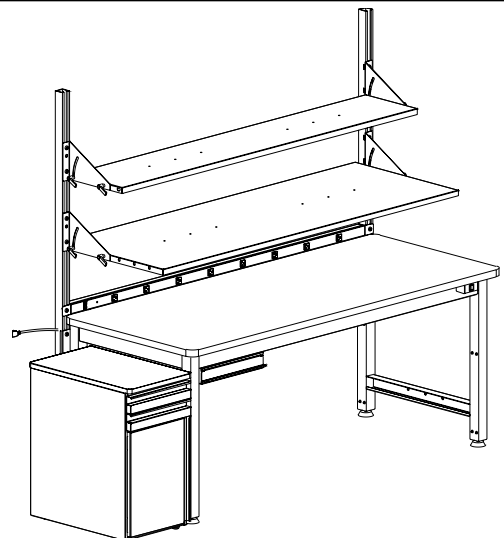
<u>Product Description</u>	<u>Item Number</u>
Electric Station, Dual Leg, 30"D x 48"W	4200
Bullnose Add-on	8982
Uprights, Dual Leg	8539
Overhead Light	8500
Tool Trolley System	8340
Tool Balancer	8357
Air Rail	8330
Peg Board	8722
Parts Bin Rail	8300
Bin Rail Extension, 6"D	8310
Power Rail, 15 amp	8320



*Tool shown not included*

## Assembly & Manufacturing

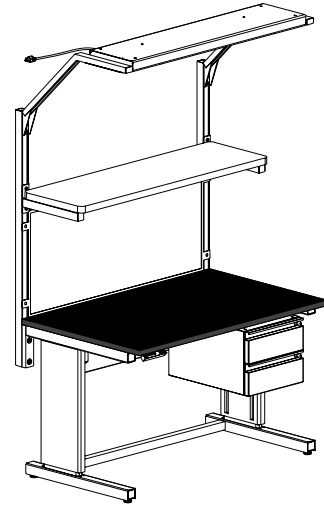
<u>Product Description</u>	<u>Item Number</u>
Hand-Crank Adjustable Table, 4-post, 30"D x 72"W	2410
4-Post Adjustable Table, Electric Option	4397
Writing Shelf/3" Drawer with Mounting Kit	8601
Free Standing Drawer Units, 2-3" drawers + 1-18" cabinet	8591
Uprights with Mounting Plates	8535
Universal Shelf, 12"D x 72"W	8416
Universal Shelf, 18"D x 72"W	8396
Power Rail, 15 amp	8326



*Conveyor not included.*

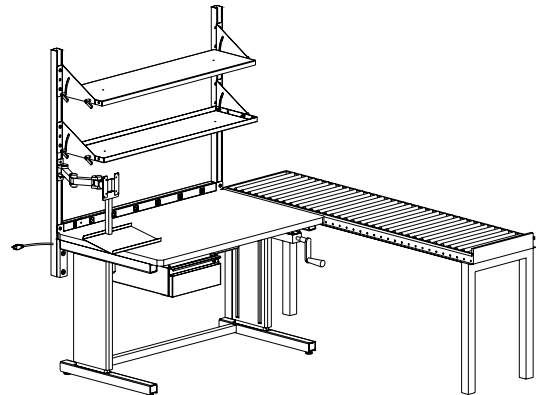
## Assembly & Manufacturing

<u>Product Description</u>	<u>Item Number</u>
Electric Station, Dual Leg, 30"D x 60"W	4205
Phenolic Resin Worksurface, 30"D x 60"W	8002
Uprights, Dual Leg	8539
Overhead Light, T8	8505
Laminate Shelf, 15"D x 60"W	8423
Tack Board, Grey	8733-G
6" Double Drawer	8613



## Material Handling

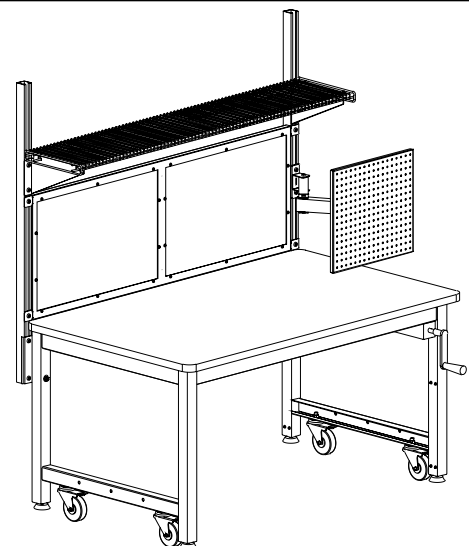
<u>Product Description</u>	<u>Item Number</u>
Hand Crank Adjustable Table, Dual Leg, 30"D x 48"W	2000
Uprights, Dual Leg	8539
Universal Shelf (2), 12"D x 48"W	8410
Flat Screen Monitor Arm	8632
Flat Screen Monitor Arm Add-on Keyboard	8633
Power Rail, 15 amp	8320
6" Drawer	8605



*Conveyor not included*


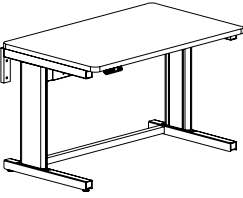

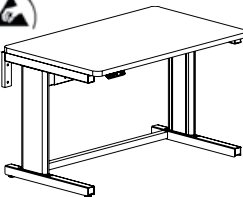

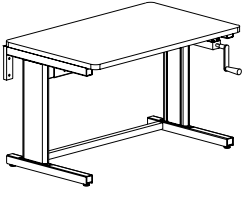

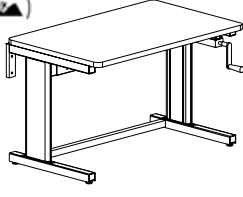
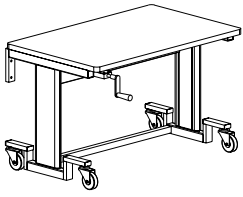
## Laboratory

<u>Product Description</u>	<u>Item Number</u>
Hand-Crank Adjustable Table, 4-post, 36"D x 60"W	2406
4-Post Adjustable Table, Caster Option	8975
Uprights with Mounting Plates	8535
Wire Shelf, 12"D x 60"W	8403
Magnetic Dry Erase/Tack Board Multi-Panel, Grey, 60"W x 20"H	8796-G
Peg Board Panel, Single Arm	8649





# EASY-LIFT SERIES > DUAL-LEG PRODUCT DETAILS

Product Details	Description	Dimensions	Item Number	Notes
 	<b>Electric Station, Dual Leg</b> Use this workstation to improve ergonomics. Effortless push button height adjustment travels the full range within 20 seconds. Store up to 4 height settings.	30"D x 36"W	4203	<ul style="list-style-type: none"> <li>• 30-42" height adjustment</li> <li>• 400 lb weight capacity</li> </ul>
		30"D x 48"W	4200	
		30"D x 60"W	4205	
		30"D x 72"W	4210	
		36"D x 36"W	4223	
		36"D x 48"W	4202	
36"D x 60"W	4220			
36"D x 72"W	4225			
 	<b>Electric Station, Dual Leg, ESD</b> Use this workstation with ESD laminate to improve ergonomics. Effortless push button height adjustment travels the full range within 20 seconds. Store up to 4 height settings.	30"D x 36"W	4303	<ul style="list-style-type: none"> <li>• 30-42" height adjustment</li> <li>• 400 lb weight capacity</li> <li>• includes standard ground bolt &amp; wire</li> </ul>
		30"D x 48"W	4300	
		30"D x 60"W	4305	
		30"D x 72"W	4310	
		36"D x 36"W	4323	
		36"D x 48"W	4302	
36"D x 60"W	4320			
36"D x 72"W	4325			
 	<b>Hand Crank Adjustable Table, Dual Leg</b> Use this workstation to address ergonomic concerns and increase operator comfort. Smooth crank action allows the operator to precisely position the height of the worksurface.	30"D x 36"W	2003	<ul style="list-style-type: none"> <li>• 30-42" height adjustment</li> <li>• 400 lb weight capacity</li> </ul>
		30"D x 48"W	2000	
		30"D x 60"W	2005	
		30"D x 72"W	2010	
		36"D x 36"W	2023	
		36"D x 48"W	2002	
36"D x 60"W	2020			
36"D x 72"W	2025			
 	<b>Hand Crank Adjustable Table, Dual Leg, ESD</b> Use this workstation to address ergonomic concerns and increase operator comfort. Smooth crank action allows the operator to precisely position the height of the ESD laminate worksurface.	30"D x 36"W	2103	<ul style="list-style-type: none"> <li>• 30-42" height adjustment</li> <li>• 400 lb weight capacity</li> <li>• includes standard ground bolt &amp; wire</li> </ul>
		30"D x 48"W	2100	
		30"D x 60"W	2105	
		30"D x 72"W	2110	
		36"D x 36"W	2123	
		36"D x 48"W	2102	
36"D x 60"W	2120			
36"D x 72"W	2125			
	<b>Caster Option, Dual Leg</b> Add mobility to an Electric or Hand Crank Dual Leg Station. Caster frame maintains height adjustability range. Includes four (4) 4" thermoplastic casters.		8974	<ul style="list-style-type: none"> <li>• includes four (4) 4" casters</li> <li>• must specify at time of order with Item Numbers 2000-2125 &amp; 4200-4325</li> <li>• workstation not included</li> </ul>

Product Details

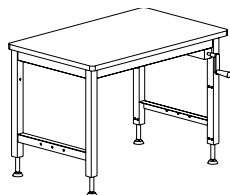
Description

Dimensions

Item Number

Notes

NEW  
SIZE



**Hand-Crank Adjustable Table, 4-post**

This table provides excellent stability, high weight capacity and easy worksurface height adjustment with a hand crank.

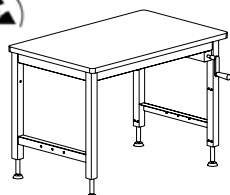
30"D x 36"W  
30"D x 48"W  
30"D x 60"W  
30"D x 72"W  
36"D x 36"W  
36"D x 48"W  
36"D x 60"W  
36"D x 72"W

2403  
2400  
2405  
2410  
2404  
2402  
2406  
2411

- 30-42" height adjustability
- 1000 lb weight capacity



NEW  
SIZE



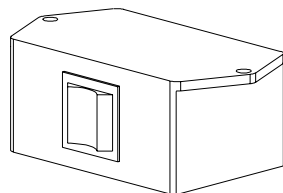
**Hand-Crank Adjustable Table, 4-post, ESD**

This table provides excellent stability, high weight capacity and easy worksurface height adjustment with a hand crank. Includes ESD laminate worksurface.

30"D x 36"W  
30"D x 48"W  
30"D x 60"W  
30"D x 72"W  
36"D x 36"W  
36"D x 48"W  
36"D x 60"W  
36"D x 72"W

2503  
2500  
2505  
2510  
2504  
2502  
2506  
2511

- 30-42" height adjustability
- 1000 lb weight capacity
- includes standard ground bolt & wire

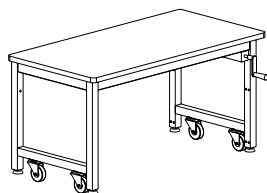


**4-Post Adjustable Table, Electric Option**

Four-post tables that are 48" wide or wider are available with electric push-button height adjustment.

4397

- compatible with tables 48" wide or wider



**4-Post Adjustable Table, Caster Option**

Add mobility to an Electric or Hand-Crank 4-post table. Caster frame maintains height adjustability range. Includes four (4) 4" thermoplastic casters.

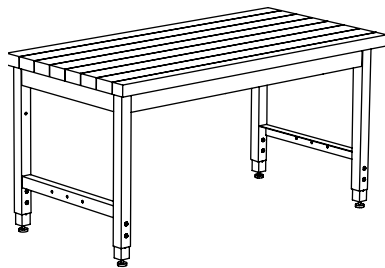
8975

- includes four (4) 4" casters
- specify at time of order with item numbers 2400-2511
- mobile at lowest height
- workstation not included

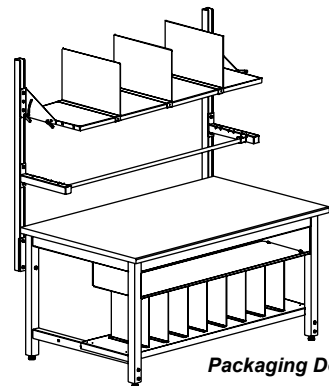
# Workstation packages. One part number and price.

## [HTTP://SOLUTION.PBASICS.COM](http://solution.pbasics.com)

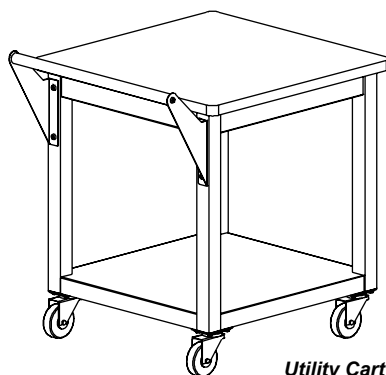
- Productive **WORKSTATIONS** and **ACCESSORIES** are grouped together.
- Save time by using **ONE ITEM NUMBER** based on your needs.
- View the entire **SOLUTION SERIES** and request a **QUOTE** on-line.



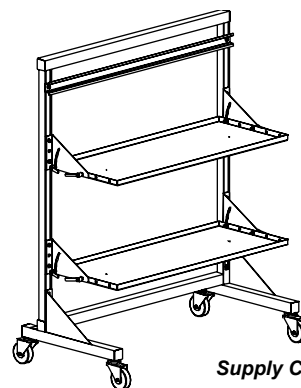
*Assembly Station*



*Packaging Depot*



*Utility Cart*



*Supply Cart, Single-Sided*

# PedSys Series

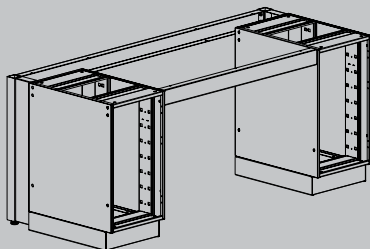
The PedSys Series combines a stable, ergonomic work bench with a variety of drawer and cabinet combinations, providing efficient workspace and enough storage for your everyday supplies. PedSys work benches are available in fixed heights of 30 and 36 inches.

Make your work area even more productive by attaching accessories to your PedSys work bench using Uprights. Uprights are constructed of robust unistrut, similar to our signature C-Leg Series frames. Shelving, bin management, computer monitor arms, functional privacy enclosures and lighting are installed using the Basic Nut and Bolt.



## General Information - PedSys Work Bench

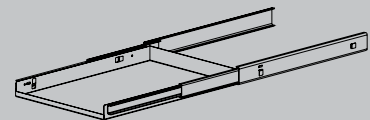
- Stock color on all PedSys Work Benches is Blue.
- Other frame colors available upon request at no additional charge are Almond, White, Grey and Black. See inside back cover.
- PedSys is shipped KD (knocked-down) and assembly is required unless otherwise ordered by customer.
- Work bench kits include all necessary parts, hardware and instructions needed to assemble the table.
- Choose a worksurface for your PedSys Work Bench on pages 49-53.
- Unless noted, work bench depth (D) is always specified first in dimension notation. Work bench width (W) is specified second.
- PedSys Work Benches are available in 30”H and 36”H fixed heights only.
- All metal components are constructed of 14-20 gauge steel.
- Work bench storage packages provides a total of 24” of vertical drawer space.
- Interior drawer dimensions of storage packages are 12” wide x 18” deep.
- Individual drawer weight capacities are 35 lbs per drawer.
- Uprights are required for above-surface accessories. Accessories are available on pages 55-76 .
- Work bench shell and worksurface dimensions must match.
- Configurations with left AND right storage available ONLY in 60” and 72” widths sizes.
- For Configurations with left AND right storage, choose TWO (2) storage packages.
- A maximum of (3) three shelves (fixed or pull-out) can be installed in cabinets.
- Weight capacity is 750 evenly distributed pounds.
- Custom frame colors are available at an additional charge.
- An ordering guide for the PedSys Work Bench Series is available for download here: <http://pedguide.pbasics.com>.
- For options not specified in this section, review the Custom Options section of this Product Specifier (pages 77-83) or call Production Basics.



PedSys-Left & Right-side  
Storage, pg. 44



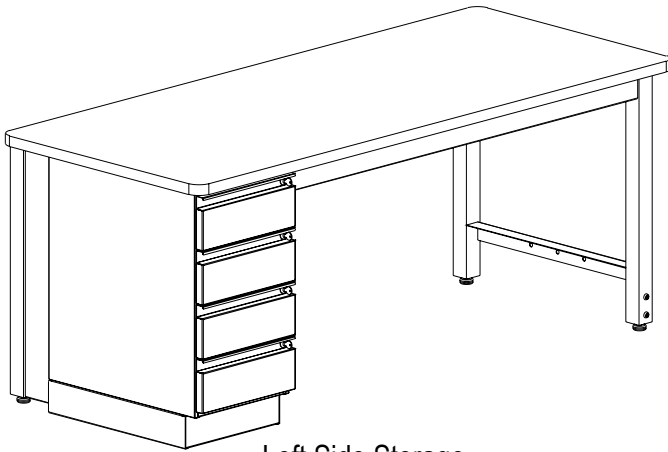
Storage Packages-multiple  
drawer sizes, pg. 45



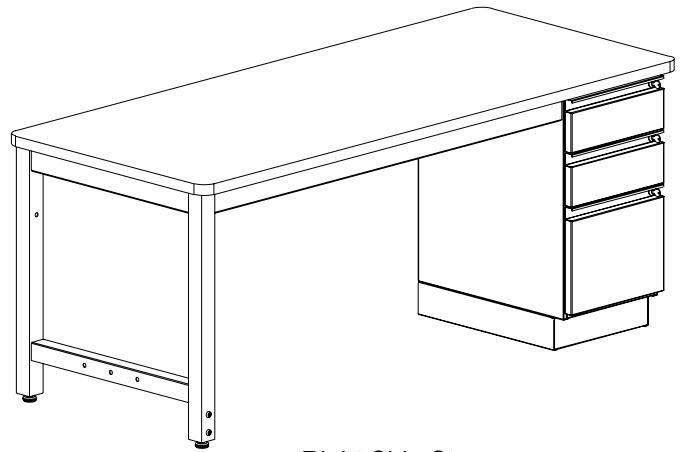
Pull-out Shelf for cabinets, pg. 47

## Typical Configurations - PedSys Work Bench

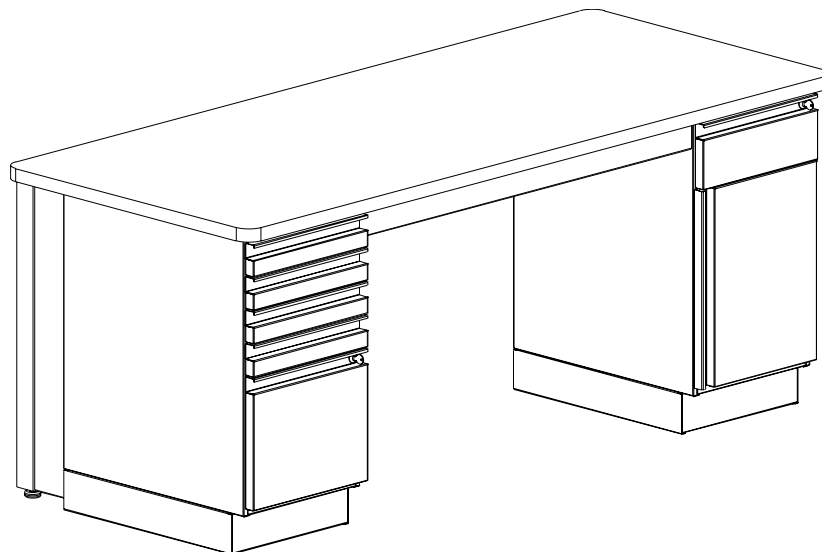
PedSys Work Benches are typically independent workstations or configured in a linear fashion. For assistance choosing your workstation, call us at 800.318.2770.



Left Side Storage



Right Side Storage



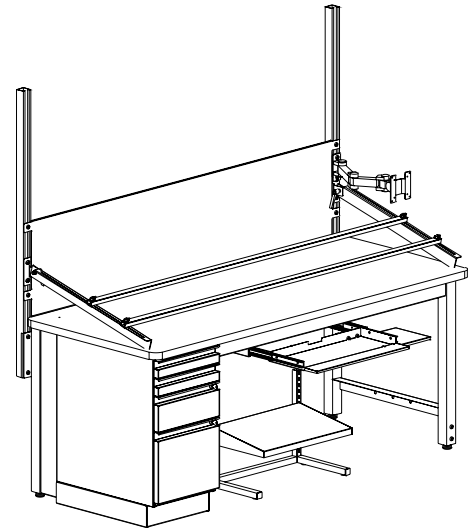
Left & Right Side Storage



# PEDSYS SERIES WORK BENCH> APPLICATION SPECIFIC RECOMMENDATIONS

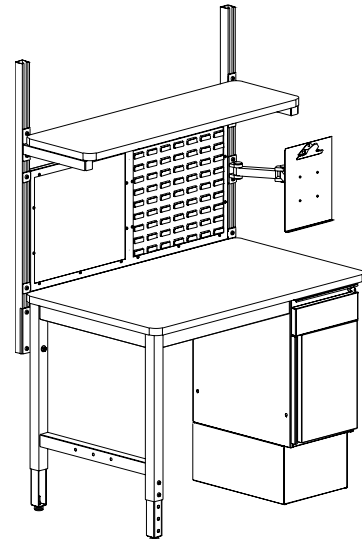
## Electronics Manufacturing

<u>Product Description</u>	<u>Item Number</u>
PedSys Series Work Bench, Left Side Storage, 30"D x 72"W x 30"H	7002
ESD Laminate Worksurface, 30"D x 72"W	8074
PedSys Storage Package, 2-3" + 1-6" drawer + 1-12" drawer	7405
Uprights with Mounting Plates	8535
Flat Screen Monitor Arm	8632
Keyboard Drawer	8681
Magnetic Dry Erase Board	8719
Slide Line	8773
Free Standing Footrest	8659



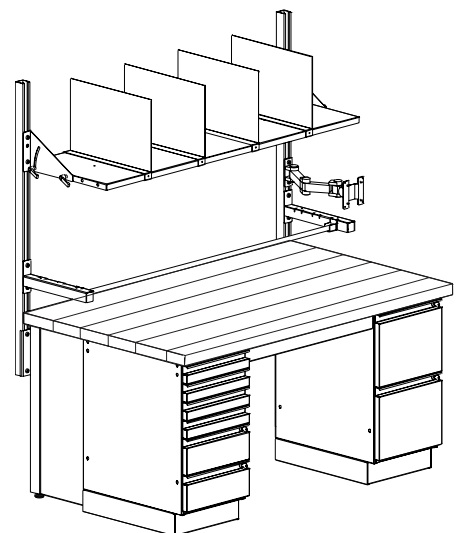
## Assembly & Manufacturing

<u>Product Description</u>	<u>Item Number</u>
PedSys Series Work Bench, Right Side Storage, 30"D x 60"W x 36"H	7221
Standard Laminate Worksurface, 30"D x 60"W	8053
PedSys Storage Package, 1-6" drawer + 1-18" cabinet, hinged right	7455
Uprights with Mounting Plates	8535
Bin Panel/Magnetic Dry Erase Board Multi-Panel, 60"W x 20"H	8784
Document Holder	8353
Laminate Shelf, 15"D x 60"W	8423



## Material Handling

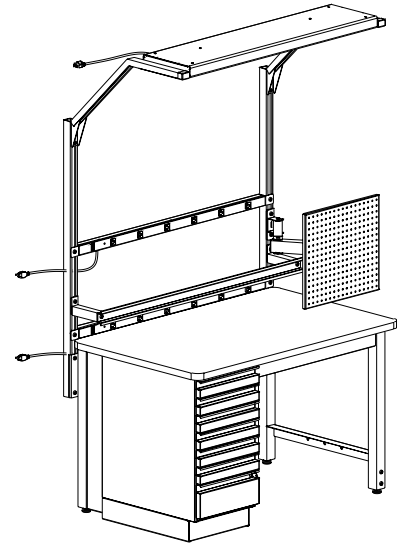
<u>Product Description</u>	<u>Item Number</u>
PedSys Series Work Bench, Left and Right Side Storage, 36"D x 60"W x 30"H	7311
Hardwood Butcher Block Worksurface, 36"D x 60"W	8044
PedSys Storage Package, 4-3" + 2-6" drawers	7402
PedSys Storage Package, 2-12" drawers	7408
Uprights with Mounting Plates	8535
Universal Shelf, 18"D x 60"W	8393
Universal Shelf Dividers	8984
Paper Roll Holder	8742
Flat Screen Monitor Arm	8632



# PEDSYS SERIES WORK BENCH> APPLICATION SPECIFIC RECOMMENDATIONS

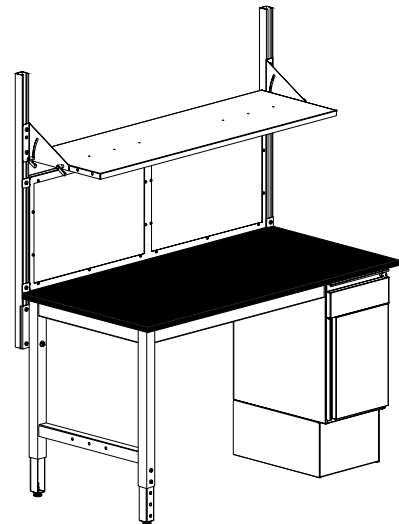
## Assembly & Manufacturing

<u>Product Description</u>	<u>Item Number</u>
PedSys Series Work Bench, Left Side Storage, 30"D x 48"W x 30"H	7000
Standard Laminate Worksurface, 30"D x 48"W	8050
PedSys Storage Package, 6-3" + 1-6" drawer	7401
Uprights with Mounting Plates, 60"H	8536
Power Rail, 15 amp (2)	8320
Overhead Light, T8	8500
Bin Rail Extension, 6"D	8310
Parts Bin Rail	8300
Peg Board Panel, Double Arm	8626



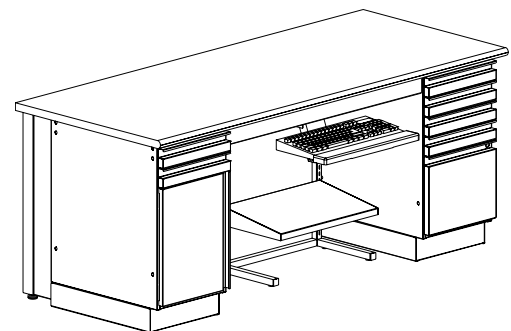
## Laboratory

<u>Product Description</u>	<u>Item Number</u>
PedSys Series Work Bench, Right Side Storage, 30"D x 60"W x 36"H	7221
Phenolic Resin Worksurface	8002
PedSys Storage Package, 1-6" drawer + 1-18" cabinet, hinged right	7455
Uprights with Mounting Plates	8535
Magnetic Dry Erase/Tack Board Multi-Panel, Grey	8796-G
Universal Shelf, 18"D x 60"W	8393



## Laboratory

<u>Product Description</u>	<u>Item Number</u>
PedSys Series Work Bench, Left and Right Side Storage, 30"D x 72"W x 30"H	7302
Bullnose Laminate, 30"D x 72"W	7968
PedSys Storage Package, 2-3" drawers + 1-18" cabinet, hinged left	7451
PedSys Storage Package, 4-3" + 1-12" drawer	7404
Adjustable Keyboard Support	8680
Free Standing Footrest	8659



*Keyboard not included.*

Product Details

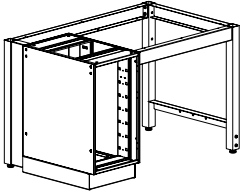
Description

Dimensions

Item Number

Notes

NEW

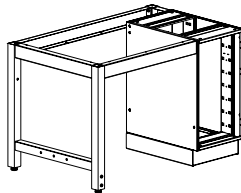


**PedSys Series Work Bench,  
Left Side Storage**

This PedSys Work Bench shell provides storage on the left side. Select a size, a worksurface material and then fill your pedestal-based bench with one of our Storage Packages. Fixed height at 30" or 36" high.

30"D x 48"W x 30"H	7000
30"D x 60"W x 30"H	7001
30"D x 72"W x 30"H	7002
36"D x 48"W x 30"H	7010
36"D x 60"W x 30"H	7011
36"D x 72"W x 30"H	7012
30"D x 48"W x 36"H	7020
30"D x 60"W x 36"H	7021
30"D x 72"W x 36"H	7022
36"D x 48"W x 36"H	7030
36"D x 60"W x 36"H	7031
36"D x 72"W x 36"H	7032

NEW

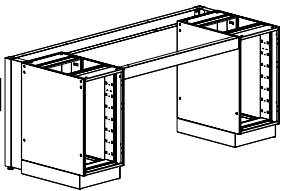


**PedSys Series Work Bench,  
Right Side Storage**

This PedSys Work Bench shell provides storage on the right side. Select a size, a worksurface material and then fill your pedestal-based bench with one of our Storage Packages. Fixed height at 30" or 36" high.

30"D x 48"W x 30"H	7200
30"D x 60"W x 30"H	7201
30"D x 72"W x 30"H	7202
36"D x 48"W x 30"H	7210
36"D x 60"W x 30"H	7211
36"D x 72"W x 30"H	7212
30"D x 48"W x 36"H	7220
30"D x 60"W x 36"H	7221
30"D x 72"W x 36"H	7222
36"D x 48"W x 36"H	7230
36"D x 60"W x 36"H	7231
36"D x 72"W x 36"H	7232

NEW

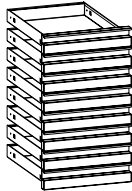
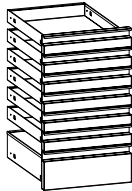
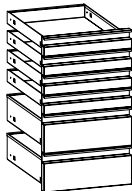
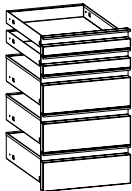
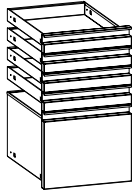
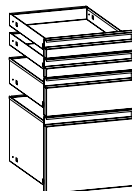



**PedSys Series Work Bench,  
Left and Right Side Storage**


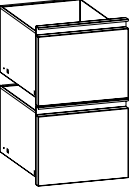
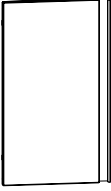
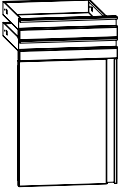
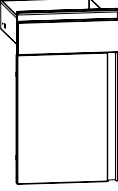

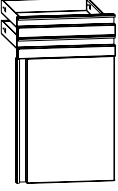
This PedSys Work Bench shell provides storage on both sides of the workstation to maximize space and efficiency. Select a size, a worksurface material and then fill your pedestal-based bench with two of our Storage Packages. Fixed heights at 30" and 36".

30"D x 60"W x 30"H	7301
30"D x 72"W x 30"H	7302
36"D x 60"W x 30"H	7311
36"D x 72"W x 30"H	7312
30"D x 60"W x 36"H	7321
30"D x 72"W x 36"H	7322
36"D x 60"W x 36"H	7331
36"D x 72"W x 36"H	7332

# PEDSYS SERIES WORK BENCH > STORAGE PACKAGES

Product Details	Description	Dimensions	Item Number	Notes		
NEW		<b>PedSys Storage Package</b>	This storage package includes eight (8) 3” drawers. Must be ordered with a PedSys workstation shell. Choose a worksurface size and material appropriate to your configuration to complete the workstation.	24”H	7400	<ul style="list-style-type: none"> <li>• 8-3” drawers</li> <li>• must be ordered with PedSys Work Bench Shell</li> </ul>
NEW		<b>PedSys Storage Package</b>	This storage package includes six (6) 3” drawers and one (1) 6” drawer. Must be ordered with a PedSys workstation shell. Choose a worksurface size and material appropriate to your configuration to complete the workstation.	24”H	7401	<ul style="list-style-type: none"> <li>• 6-3” + 1-6” drawer</li> <li>• must be ordered with PedSys Work Bench Shell</li> </ul>
NEW		<b>PedSys Storage Package</b>	This storage package includes four (4) 3” drawers and two (2) 6” drawers. Must be ordered with a PedSys workstation shell. Choose a worksurface size and material appropriate to your configuration to complete the workstation.	24”H	7402	<ul style="list-style-type: none"> <li>• 4-3” + 2-6” drawers</li> <li>• must be ordered with PedSys Work Bench Shell</li> </ul>
NEW		<b>PedSys Storage Package</b>	This storage package includes two (2) 3” drawers and three (3) 6” drawers. Must be ordered with a PedSys workstation shell. Choose a worksurface size and material appropriate to your configuration to complete the workstation.	24”H	7403	<ul style="list-style-type: none"> <li>• 2-3” + 3-6” drawers</li> <li>• must be ordered with PedSys Work Bench Shell</li> </ul>
NEW		<b>PedSys Storage Package</b>	This storage package includes four (4) 3” drawers and one (1) 12” drawer that accepts hanging file folders. Must be ordered with a PedSys workstation shell. Choose a worksurface size and material to complete the workstation.	24”H	7404	<ul style="list-style-type: none"> <li>• 4-3” + 1-12” drawer</li> <li>• must be ordered with PedSys Work Bench Shell</li> </ul>
NEW		<b>PedSys Storage Package</b>	This storage package includes two (2) 3” drawers, one (1) 6” drawer and one (1) 12” drawer that accepts hanging file folders. Must be ordered with a PedSys workstation shell. Choose a worksurface size and material to complete the workstation.	24”H	7405	<ul style="list-style-type: none"> <li>• 2-3” + 1-6” drawer + 1-12” drawer</li> <li>• must be ordered with PedSys Work Bench Shell</li> </ul>
NEW		<b>PedSys Storage Package</b>	This storage package includes four (4) 6” drawers. Must be ordered with a PedSys workstation shell. Choose a worksurface size and material appropriate to your configuration to complete the workstation.	24”H	7406	<ul style="list-style-type: none"> <li>• 4-6” drawers</li> <li>• must be ordered with PedSys Work Bench Shell</li> </ul>

# PEDSYS SERIES WORK BENCH > STORAGE PACKAGES

Product Details	Description	Dimensions	Item Number	Notes		
NEW		<b>PedSys Storage Package</b>	<p>This storage package includes two (2) 6" drawers and one (1) 12" drawer that accepts hanging file folders. Must be ordered with a PedSys workstation shell. Choose a worksurface size and material to complete the workstation.</p>	24"H	7407	<ul style="list-style-type: none"> <li>• 2-6" + 1-12" drawer</li> <li>• must be ordered with PedSys Work Bench Shell</li> </ul>
NEW		<b>PedSys Storage Package</b>	<p>This storage package includes two (2) 12" drawers that accept hanging file folders. Must be ordered with a PedSys workstation shell. Choose a worksurface size and material to complete the workstation.</p>	24"H	7408	<ul style="list-style-type: none"> <li>• 2-12" drawers</li> <li>• must be ordered with PedSys Work Bench Shell</li> </ul>
NEW		<b>PedSys Storage Package</b>	<p>This storage package includes one (1) 24" cabinet with one (1) Pull-out shelf. Up to three (3) Pull-out or Fixed Shelves can be installed. Cabinet is hinged on the left-hand side. Must be ordered with a PedSys workstation shell.</p>	24"H	7450	<ul style="list-style-type: none"> <li>• hinged left</li> <li>• 1-24" cabinet</li> <li>• must be ordered with PedSys Work Bench Shell</li> </ul>
NEW		<b>PedSys Storage Package</b>	<p>This storage package includes two (2) 3" drawers and one (1) 18" cabinet with one (1) Pull-out shelf. Up to three (3) Pull-out or Fixed Shelves can be installed. Cabinet is hinged on the left-hand side. Must be ordered with a PedSys workstation shell.</p>	24"H	7451	<ul style="list-style-type: none"> <li>• hinged left</li> <li>• 2-3" drawers + 1-18" cabinet</li> <li>• must be ordered with PedSys Work Bench Shell</li> </ul>
NEW		<b>PedSys Storage Package</b>	<p>This storage package includes one (1) 6" drawer and one (1) 18" cabinet with one (1) Pull-out shelf. Up to three (3) Pull-out or Fixed Shelves can be installed. Cabinet is hinged on the left-hand side. Must be ordered with a PedSys workstation shell.</p>	24"H	7452	<ul style="list-style-type: none"> <li>• hinged left</li> <li>• 1-6" drawer + 1-18" cabinet</li> <li>• must be ordered with PedSys Work Bench Shell</li> </ul>
NEW		<b>PedSys Storage Package</b>	<p>This storage package includes one (1) 24" cabinet with one (1) Pull-out shelf. Up to three (3) Pull-out or Fixed Shelves can be installed. Cabinet is hinged on the right-hand side. Must be ordered with a PedSys workstation shell.</p>	24"H	7453	<ul style="list-style-type: none"> <li>• hinged right</li> <li>• 1-24" cabinet</li> <li>• must be ordered with PedSys Work Bench Shell</li> </ul>
NEW		<b>PedSys Storage Package</b>	<p>This storage package includes two (2) 3" drawers and one (1) 18" cabinet with one (1) Pull-out shelf. Up to three (3) Pull-out or Fixed Shelves can be installed. Cabinet is hinged on the right-hand side. Must be ordered with a PedSys workstation shell.</p>	24"H	7454	<ul style="list-style-type: none"> <li>• hinged right</li> <li>• 2-3" drawers + 1-18" cabinet</li> <li>• must be ordered with PedSys Work Bench Shell</li> </ul>

Product Details

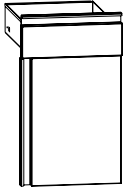
Description

Dimensions

Item Number

Notes

NEW



**PedSys Storage Package**

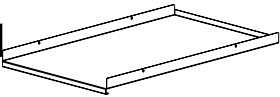
This storage package includes one (1) 6" drawer and one (1) 18" cabinet with one (1) Pull-out shelf. Up to three (3) Pull-out or Fixed Shelf can be installed. Cabinet is hinged on the right-hand side. Must be ordered with a PedSys workstation shell.

24"H

7455

- hinged right
- 1-6" drawer + 1-18" cabinet
- must be ordered with PedSys Work Bench Shell

NEW



**Fixed Shelf**

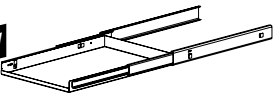
Create sections in your Suspended or PedSys Cabinet with up to three (3) Fixed Shelves. Can be installed in the field and used with Suspended Cabinet or PedSys Storage Packages that include cabinets.

19"D x 14"W

8612

- requires Suspended Cabinet or PedSys Storage Package

NEW



**Pull-out Shelf**

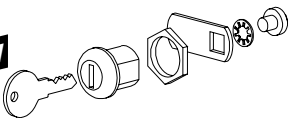
Create sections in your Suspended Cabinet or PedSys Cabinet with up to three (3) Pull-out shelves. Can be installed in the field and used with Suspended Cabinet or PedSys Storage Packages that include cabinets.

19"D x 14"W

8619

- requires Suspended Cabinet or PedSys Storage Package

NEW



**Drawer/Cabinet Lock Set**

Secure drawers and storage packages larger than 3" with a lock. To choose locks keyed alike, choose your quantity of the same key cut. For locks keyed differently, choose any combination of key cuts.

- Key Cut A
- Key Cut B
- Key Cut C
- Key Cut D
- Key Cut E
- Key Cut F
- Key Cut G
- Key Cut H
- Key Cut I
- Key Cut J

- 6800
- 6801
- 6802
- 6803
- 6804
- 6805
- 6806
- 6807
- 6808
- 6809

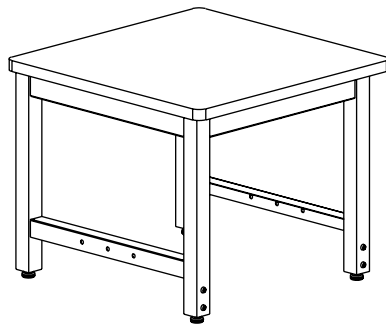
- not compatible with 3" drawers



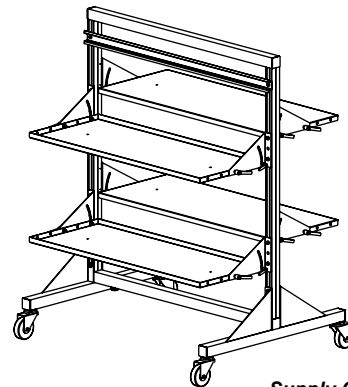
# Workstation packages. One part number and price.

## [HTTP://SOLUTION.PBASICS.COM](http://solution.pbasics.com)

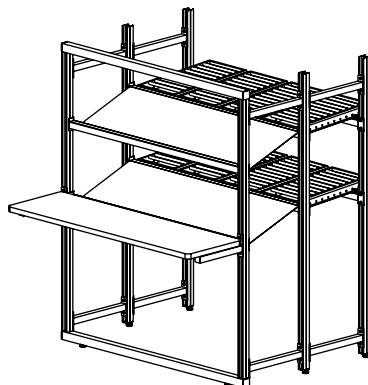
- Productive **WORKSTATIONS** and **ACCESSORIES** are grouped together.
- Save time by using **ONE ITEM NUMBER** based on your needs.
- View the entire **SOLUTION SERIES** and request a **QUOTE** on-line.



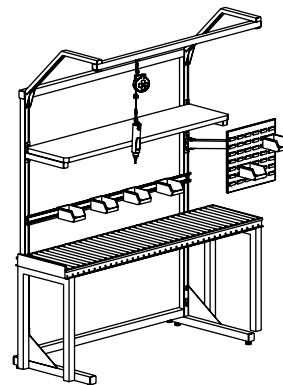
*Scale Table*



*Supply Cart, Double-Sided*



*Pick Station*



*In-line Conveyor Station*

# Worksurfaces

A worksurface is a key component to the success of your workstation. It is dictated by what you are doing in your work area everyday. Production Basics allows you to have flexibility with your work bench by offering stand-alone surface choices. This includes not only worksurface materials, but edge styles too.

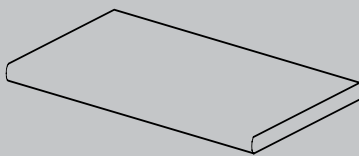
For help with choosing a material, size and how to integrate your surfaces with your preferred style of work bench, contact a Workstation Specialist at Production Basics.



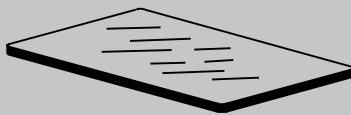
## General Information - Worksurfaces

- Stock color for standard laminate worksurfaces is White. Stock color for ESD laminate is Grey.
- Other laminate colors available upon request at no additional charge are Grey and Beige standard laminate; Beige and White ESD laminate.
- Custom laminate colors are available at an additional charge. Call to discuss your options.
- Phenolic Resin worksurfaces are available in Black only.
- For “**Add-on**” item numbers, order your workstation style and the “**Add-on**” item number together.
- Unless noted, worksurface depth (D) is always specified first in dimension notation. Worksurface width (W) is specified second.

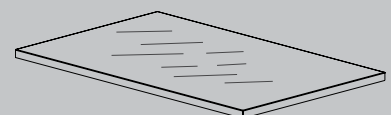
**NEW**



Bullnose Worksurfaces-  
individual sizes, pg. 51



Stainless Steel with T-mold,  
pg. 52



Stainless Steel, Wrap Edge,  
pg. 52

Product Details

Description

Dimensions

Item Number

Notes

**Standard Laminate  
Worksurface**



Industrial grade core with high-pressure plastic laminate. Finished with rounded corners and protective T-mold edge. 1.25" thick.

24"D x 36"W	8066
24"D x 48"W	8059
24"D x 60"W	8062
24"D x 72"W	8065
24"D x 96"W	8063
30"D x 36"W	8049
30"D x 48"W	8050
30"D x 60"W	8053
30"D x 72"W	8056
30"D x 96"W	8058
36"D x 36"W	8084
36"D x 48"W	8085
36"D x 60"W	8086
36"D x 72"W	8087
36"D x 96"W	8089

**ESD Laminate Worksurface**



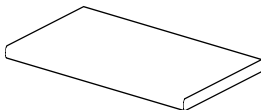
Industrial grade core with high-pressure static dissipative laminate with rounded corners and protective T-mold edge. Measures within the range of 10<sup>6</sup> to 10<sup>9</sup>. Includes a standard ground bolt & wire to ensure positive charge drainage. 1.25" thick.

24"D x 36"W	8078
24"D x 48"W	8077
24"D x 60"W	8080
24"D x 72"W	8083
24"D x 96"W	8082
30"D x 36"W	8067
30"D x 48"W	8068
30"D x 60"W	8071
30"D x 72"W	8074
30"D x 96"W	8076
36"D x 36"W	8069
36"D x 48"W	8090
36"D x 60"W	8091
36"D x 72"W	8092
36"D x 96"W	8098

• includes a standard ground bolt & wire

**Bullnose Laminate  
Worksurface**

**NEW  
SIZE**



Industrial grade core worksurface with high-pressure plastic laminate and a 180-degree laminated, radius edge in front for a comfortable work area. 1.25" thick.

24"D x 36"W	7960
24"D x 48"W	7961
24"D x 60"W	7962
24"D x 72"W	7963
24"D x 96"W	7964
30"D x 36"W	7965
30"D x 48"W	7966
30"D x 60"W	7967
30"D x 72"W	7968
30"D x 96"W	7969
36"D x 36"W	7970
36"D x 48"W	7971
36"D x 60"W	7972
36"D x 72"W	7973
36"D x 96"W	7974

Product Details

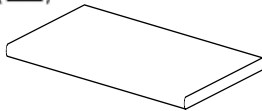
Description

Dimensions

Item Number

Notes

NEW  
SIZE



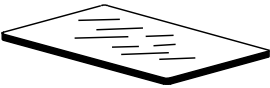
**Bullnose Laminate, ESD**

Industrial grade core work surface with high-pressure ESD laminate and a 180-degree laminated, radius edge in front for a comfortable work area. ESD laminate measures within the static dissipative range of 10<sup>6</sup> to 10<sup>9</sup>. 1.25" thick.

24"D x 36"W	7980
24"D x 48"W	7981
24"D x 60"W	7982
24"D x 72"W	7983
24"D x 96"W	7984
30"D x 36"W	7985
30"D x 48"W	7986
30"D x 60"W	7987
30"D x 72"W	7988
30"D x 96"W	7989
36"D x 36"W	7990
36"D x 48"W	7991
36"D x 60"W	7992
36"D x 72"W	7993
36"D x 96"W	7994

• includes standard ground bolt & wire

NEW  
SIZE

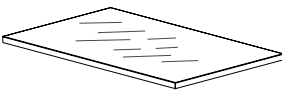


**Stainless Steel, T-mold edge Work surface**

Durable and clean stainless steel is ideal for packaging and cleanroom applications. We provide a 16 gauge, 1/16" thick, Type 304 polished stainless steel skin on top of industrial particle board. Finished with a T-mold edge.

24"D x 36"W	7900
24"D x 48"W	7901
24"D x 60"W	7902
24"D x 72"W	7903
24"D x 96"W	7904
30"D x 36"W	7905
30"D x 48"W	7906
30"D x 60"W	7907
30"D x 72"W	7908
30"D x 96"W	7909
36"D x 36"W	7910
36"D x 48"W	7911
36"D x 60"W	7912
36"D x 72"W	7913
36"D x 96"W	7914

NEW



**Stainless Steel, Wrap Edge Work surface**

Durable and clean stainless steel is ideal for packaging and cleanroom applications. We provide a 16 gauge, 1/16" thick, Type 304 polished stainless steel skin on top of industrial particle board. Wraps around all corners at 90 degrees.

24"D x 36"W	7930
24"D x 48"W	7931
24"D x 60"W	7932
24"D x 72"W	7933
24"D x 96"W	7934
30"D x 36"W	7935
30"D x 48"W	7936
30"D x 60"W	7937
30"D x 72"W	7938
30"D x 96"W	7939
36"D x 36"W	7940
36"D x 48"W	7941
36"D x 60"W	7942
36"D x 72"W	7943
36"D x 96"W	7944

Product Details

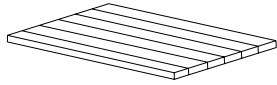
Description

Dimensions

Item Number

Notes

NEW



**Hardwood Butcher Block Worksurface**

Hardwood butcher block worksurface is 1.75" thick with a durable lacquered finish. Ideal for heavy-duty applications, repeated impact and sharp tools or products.

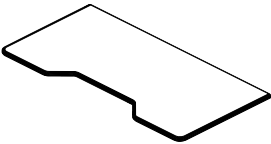
30"D x 48"W	8040
30"D x 60"W	8041
30"D x 72"W	8042
30"D x 96"W	8046
36"D x 48"W	8043
36"D x 60"W	8044
36"D x 72"W	8045
36"D x 96"W	8047



**Phenolic Resin Worksurface**

Chemically resistant, homogeneous phenolic worksurface is 1" thick. Ideal for lab environments. Black only.

30"D x 48"W	8001
30"D x 60"W	8002
30"D x 72"W	8003
36"D x 48"W	8006
36"D x 60"W	8004
36"D x 72"W	8005



**Ergo Add-on**

Unique laminate worksurface for C-Leg Series Workstations. Features a 6" indentation in the front center, reducing an operator's reach area. Order with full workstation packages.

8978



**Comfort Edge Add-on**

Durable high-density polymer edge contoured in front for operator comfort. Order with full workstation packages.

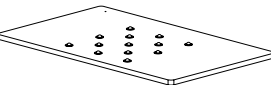
8998



**Bullnose Add-on**

Worksurface features a 180-degree laminated radius edge for a safe and comfortable work area. Finished with laminate on the front and PVC on sides and back in a matching color. Order with full workstation packages.

8982



**Ball Transfer**

Used to move and position products weighing in excess of 20 lbs. Fixed and pneumatic 1" omni-directional steel units are available in a variety of patterns specific to your application.

• call to discuss your options



**ESD Quad Jack**

Plug your wrist strap into this jack for static protection.

8870  
8987

• individually packaged  
• installed on left side of table



# Build your Workstation ON-LINE

**[HTTP://3D.PBASICS.COM](http://3d.pbasics.com)**

- Choose workstation **STYLES** and **ACCESSORIES**, add to a **3D WORK BENCH MODEL**.
- **CHANGE** colors and sizes **IN REAL TIME**.
- **SPIN, ROTATE AND ZOOM** in on the workstation to view small details.
- Request a **QUOTE** on-line.

WORKSTATION TODAY.

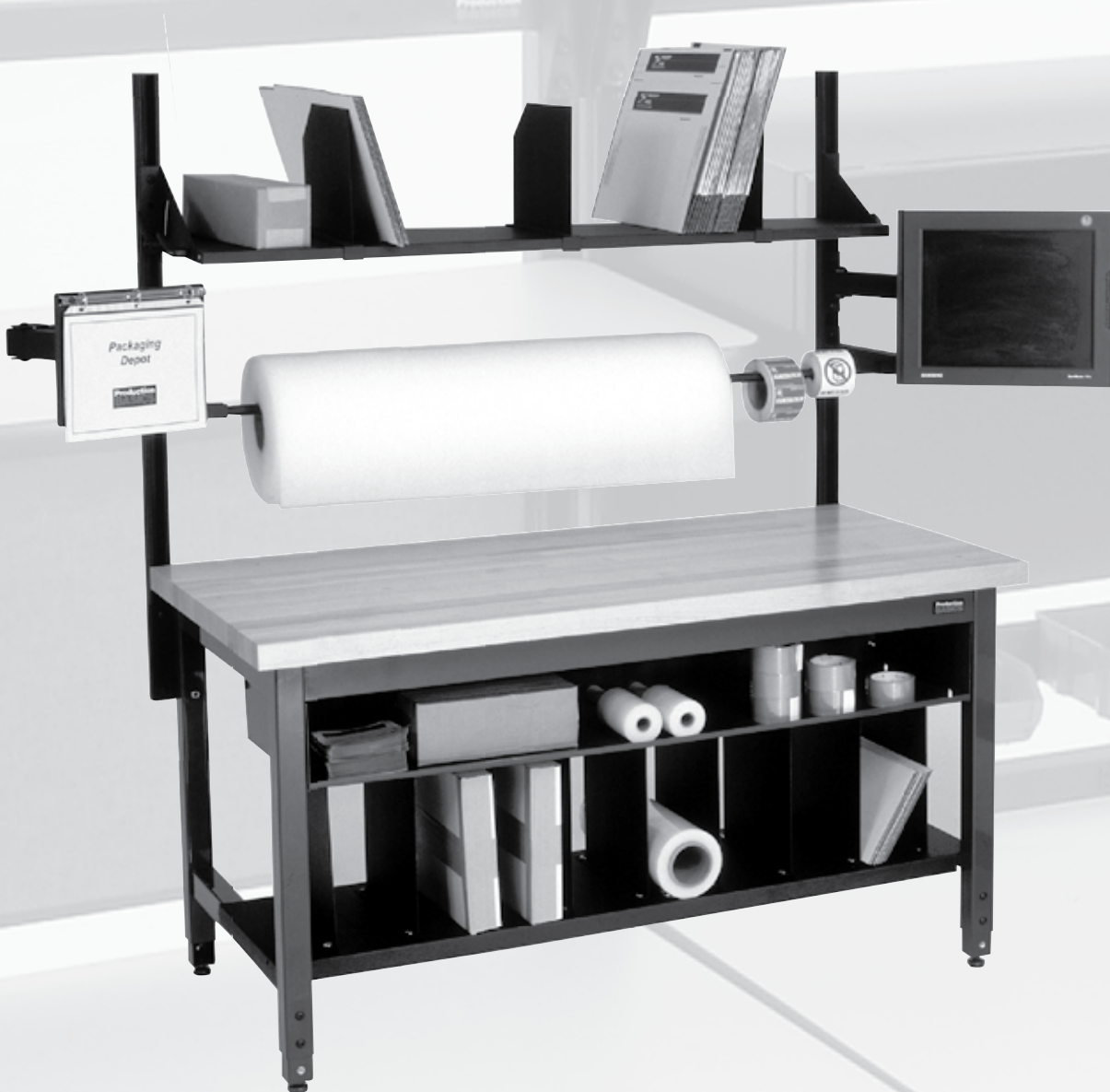
CREATE YOUR 3D



WORKSTATION TODAY.

CREATE YOUR 3D

When operators have their full worksurface to perform daily tasks, productivity and ergonomics follow. Using Production Basics accessories in the vertical space above the work area will provide maximum efficiency. Our complete line of accessories provides a home for the tools and supplies operators and technicians use every day.

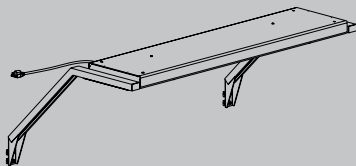


# Accessories

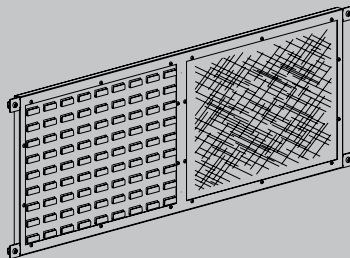
## General Information - Accessories

- Accessory color is Black.
- See accessory "Description" to determine if product comes in another color.
- Most accessories are constructed of 11-20 gauge steel.
- **C-Leg Series** workstations are designed with an integrated back frame to support accessories. No additional Uprights are necessary.
- **RTW Tables** support above-surface accessories with Uprights. See page 58 to determine which Uprights match your work bench.
- **Easy-Lift Series** Workstations support above-surface accessories with Uprights. See page 58 to determine which Uprights match your work bench.
- **PedSys Series Work Benches** Add accessories to your with Uprights. See page 58 to determine which Uprights match your work bench.
- To determine which accessories match to specific workstation styles, see our Compatibility Chart on page 57.
- Workstations accommodate up to 24" of drawer or cabinet space. Under-surface accessories and workstations outfitted with casters may reduce this range.
- Individual drawer weight capacities are 35 lbs per drawer.
- Drawer/Cabinet Lock Sets not compatible with 3" drawers.
- Drawer/Cabinet Lock Sets are sold separately.
- Other accessory colors available upon request. Call to discuss your options.
- For accessories not listed in this section, review the Custom Options section of this Product Specifier (pages 77-83) or call Production Basics.

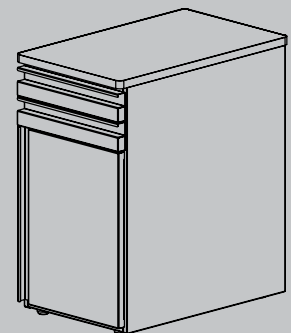
**NEW**



LED Lighting, pg. 58



Multi-Panel Enclosures, pg. 63



Free Standing Drawers & Cabinets, pg. 72

# Compatibility Chart

Use our Compatibility Chart to determine accessory and workstation matches. To add most above-surface accessories on RTW, Easy-Lift and PedSys Series workstations, Uprights are required.

	Page	C-Leg Series	RTW Table	RTW + Uprights	Easy-Lift, Dual Leg	Easy-Lift DL + Uprights	Easy-Lift, 4 Post	Easy-Lift 4P + Uprights	PedSys	PedSys + Uprights
Overhead Light	58	X		X		X		X		X
Power Rail, 15 amp	59	X	X	X	X	X	X	X	X	X
Power Rail, 20 amp	59	X	X	X	X	X	X	X	X	X
Air Rail	59	X		X		X		X		X
Overhead Arms	59	X		X		X		X		X
Tool Trolley System	60	X		X		X		X		X
Parts Bin Rail	60	X		X		X		X		X
Tool Shelf & Bin Rail	61	X		X		X		X		X
Peg Board Panel	61	X		X		X		X		X
Universal Mount	61	X		X		X		X		X
Cable Trough	61	X	X	X		X	X	X		X
Document Holder	61	X		X		X		X		X
Binder Holder	62	X		X		X		X		X
Tray Arm	62	X		X		X		X		X
Peg Board	62	X		X		X		X		X
Bin Panel Enclosure	62	X		X		X		X		X
Tack Board	62	X		X		X		X		X
Magnetic Dry Erase Board	62	X		X		X		X		X
C-Leg Modesty Panel	62	X								
Modesty Panel	63		X	X			X	X	X	X
Multi-Panel	63	X		X		X		X		X
Paper Roll Holder	64	X		X		X		X		X
Slide Line	64	X		X		X		X		X
Universal Shelf	64	X		X		X		X		X
Laminate Shelf	64	X		X		X		X		X
Laminate Under-surface Shelf	65	X								
Wire Shelf	66	X		X		X		X		X
Riser Shelf	66		X							
RTW Under-Surface Shelf	66		X	X			X	X		
RTW Supply Compartment	66		X	X						
Storage Cabinet	66	X		X		X		X		X
Writing Shelf/3" Drawer	67	X			X	X				
6" Drawer	67	X			X	X				
12" Drawer	67	X			X	X				
3" Double Drawer	67	X			X	X				
6" Double Drawer	67	X			X	X				
Suspended Cabinet	67	X			X	X				
Suspended Drawer	68	X			X	X				
Writing Shelf/3" Drawer with Mounting Kit	70		X	X			X	X		
6" Drawer with Mounting Kit	70		X	X			X	X		
12" Drawer with Mounting Kit	70		X	X			X	X		
3" Double Drawer with Mounting Kit	70		X	X			X	X		
6" Double Drawer with Mounting Kit	70		X	X			X	X		
Suspended Cabinet with Mounting Kit	70		X	X			X	X		
Suspended Drawer with Mounting Kit	71		X	X			X	X		
Free Standing Drawer Units	72	X	X	X	X	X	X	X	X	X
Universal Mounting Bar	75	X		X		X		X		X
Flat Screen Monitor Arm	75	X		X		X		X		X
CPU Holder	75	X	X	X	X	X	X	X	X	X
Adjustable Keyboard Support	76	X	X	X	X	X	X	X	X	X
Keyboard Drawer	76	X	X	X	X	X	X	X	X	X
Adjustable Tube Footrest	76	X								
RTW Tube Footrest	76		X	X			X	X		
Free Standing Footrest	76	X	X	X	X	X	X	X	X	X

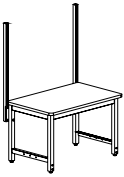
Product Details

Description

Dimensions

Item Number

Notes



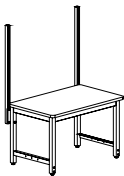
**Uprights with Mounting Plates**

Make the best use of the vertical space above your workstation with Production Basics Uprights. Easily install Uprights with included mounting plates and hardware. Compatible with most standard accessories for full workspace functionality.

48”H  
60”H

8535  
8536

- 1 pair
- for RTW Table, Easy-Lift, 4-post and PedSys Series
- RTW Table not included



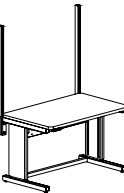
**Uprights with Mounting Plates, Double-sided**

Make use of vertical space by installing organization accessories on the front and privacy enclosures or lightweight accessories on the back of the Uprights. Includes mounting plates and hardware. Compatible with most standard accessories.

48”H  
60”H

8530  
8531

- 1 pair
- double-sided
- for RTW Table, Easy-Lift, 4-post and PedSys Series
- RTW Table not included



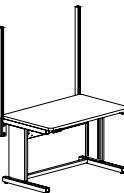
**Uprights, Dual Leg**

Make the best use of the vertical space above your Easy-Lift series workstation with Production Basics Uprights. After Uprights are quickly installed on your unit, you can add a variety of accessories for full workspace functionality.

48”H  
60”H

8539  
8540

- 1 pair
- for Easy-Lift Dual Leg
- workstation not included



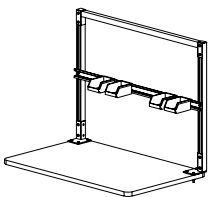
**Uprights, Dual Leg, Double-sided**

Make use of vertical space by installing organization accessories on the front and privacy enclosures or lightweight accessories on the back of the Uprights. Includes mounting plates and hardware. Compatible with most standard accessories.

48”H  
60”H

8532  
8533

- 1 pair
- double-sided
- for Easy-Lift Dual Leg
- Easy Lift workstation shown not included



**Basic Organizer**

Use the Basic Organizer to convert a simple worktable into an ergonomic workstation with accessories. Consists of two (2) vertical tracks, a stabilizing horizontal member, mounting brackets and hardware for easy set-up. Available in 38” and 48” heights.

36”W x 38”H  
48”W x 38”H  
60”W x 38”H  
72”W x 38”H

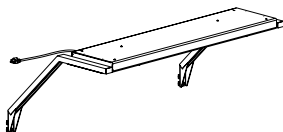
8544  
8541  
8542  
8543

- provides 29” of usable space
- specify color at time of order

36”W x 48”H  
48”W x 48”H  
60”W x 48”H  
72”W x 48”H

8560  
8561  
8562  
8563

- provides 39” of usable space
- specify color at time of order



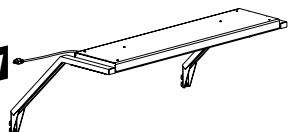
**Overhead Light**

Illuminate your work area with our 3-bulb Overhead Light with integrated on/off switch. Light extends 14” above the top of the Uprights or Frame. Requires T8 bulbs.

36”W, 24” bulb  
48”W, 36” bulb  
60”W, 48” bulb  
72”W, 48” bulb

8504  
8500  
8505  
8510

- requires T8 light bulbs, not included
- Overhead Arms included



**Overhead Light, LED**

Reduce energy costs with our 2-bulb LED Overhead Light. Light extends 14” above the top of the Uprights or Frame.

36”W, 24” bulb  
48”W, 36” bulb  
60”W, 48” bulb  
72”W, 48” bulb

8512  
8514  
8516  
8518

- (two) 2 LED bulbs included
- Overhead Arms included

NEW SIZE

NEW

Product Details

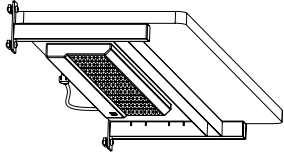
Description

Dimensions

Item Number

Notes

NEW  
SIZE

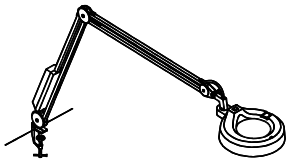


**Under Shelf Light**

This light is easily installed under a Laminate or Universal Shelf. Can be used alone or in conjunction with overhead lighting to reduce shadows on the worksurface.

24"W  
36"W  
48"W

8524 } • requires one (1) T8 light  
8523 } bulb, included  
8525 } • shelf not included

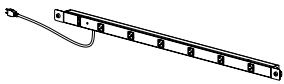


**Mag Lamp**

Attach to our workstations with our Universal Mount or to any surface with the supplied clamp. 22-watt fluorescent bulb included.

45" extension

8350 • light grey finish  
• 3 diopter

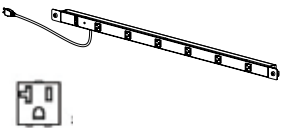


**Power Rail, 15 amp**

Lighted control switch includes circuit breaker protection. Universal mounting brackets allow this item to be mounted with the outlets in any direction on the Upright, Frame or any flat surface.

36"W  
48"W  
60"W  
72"W

8319 • 6 outlets  
8320 • 6 outlets  
8323 • 8 outlets  
8326 • 8 outlets

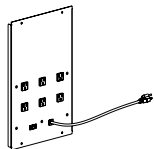


**Power Rail, 20 amp**

Lighted control switch includes circuit breaker protection. Accepts 15 and 20 amp equipment and features a NEMA 5-20P cord to plug into a 20 amp outlet only. Universal mounting brackets allow the Power Rail to be mounted with the outlets in any direction.

36"W  
48"W  
60"W  
72"W

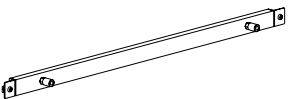
8321 • 6 outlets  
8322 • 6 outlets  
8324 • 8 outlets  
8327 • 8 outlets



**Riser Shelf Power Panel, 15 and 20 amp**

Lighted control switch includes circuit breaker protection for 15 or 20 amp panel. Use up to two (2) panels per Riser Shelf.

8328 • 15 amp  
8329 • 20 amp  
• 6 outlets  
• requires Riser Shelf

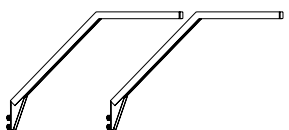


**Air Rail**

Features two (2) quick-connectors and one (1) 3/8" poly-tube inlet port for compressed air. Provides reserve air capacity at workstation and can be mounted on the Uprights or Overhead Arms.

36"W  
48"W  
60"W  
72"W

8331  
8330  
8333  
8336



**Overhead Arms**

Use with our Tool Trolley Systems or for applications requiring air, power or light to be positioned above the operator. Arms extend up to 14" above the top of the Uprights or Frame.

8538

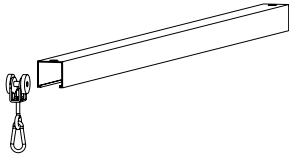
## Product Details

Description

Dimensions

Item Number

Notes



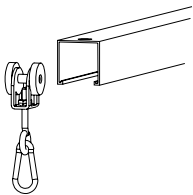
### Tool Trolley System

Provides ergonomic placement of tools. Can be used in conjunction with overhead lighting, air or power.

36"W  
48"W  
60"W  
72"W

8339  
8340  
8343  
8346

- includes 1 trolley
- requires Overhead Arms



### Trolley

Add trollies to your Tool Trolley System to support multiple tools.

8349

- requires Tool Trolley System

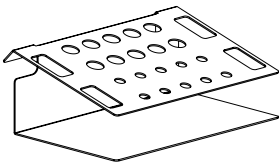


### Tool Balancer

Mounts to Tool Trolley and supports pneumatic or electric tools for optimal work space ergonomics. Includes variable tension adjustment and spring snap clip.

8357

- 5 lb capacity
- tool shown not included
- requires Tool Trolley System

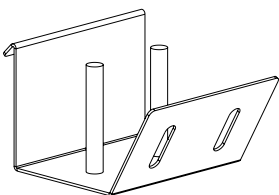


### Tool Storage Hanger

Store and organize tools for convenient operator use.

8355

- attaches to Bin Rail or sits on desktop

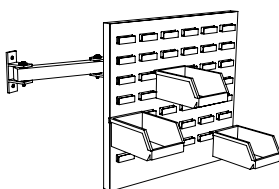


### Solder Spool Holder

Attaches directly to the Parts Bin Rail or sits on desktop and conveniently holds two solder spools for dispensing ease. Rod size is 3/8" diameter by 2.5"H.

8650

- attaches to Bin Rail or sits on desktop



### Parts Bin Panel

Move storage bins on a metal peg board within an operator's primary work zone, using a swing arm. 40 lb weight capacity.

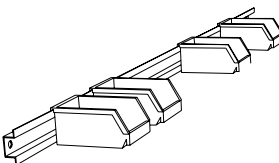
17.5"W x 16.5"H,  
19" extension  
17.5"W x 16.5"H,  
24" extension

8639

- single arm

8627

- double arm



### Parts Bin Rail

Hang storage bins along the width of your workstation.

36"W  
48"W  
60"W  
72"W

8301  
8300  
8303  
8306

- 35 lb weight capacity



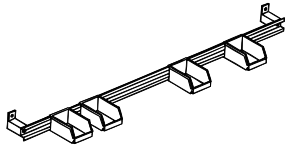
Product Details

Description

Dimensions

Item Number

Notes



**Bin Rail Extension**

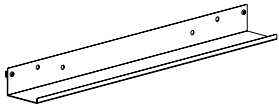
Attach to back of Parts Bin Rail to bring storage bins closer to the operator or to create varying levels.

3"D  
6"D

8308  
8310

• requires Parts Bin Rail, not included

NEW  
SIZE



**Tool Shelf & Bin Rail**

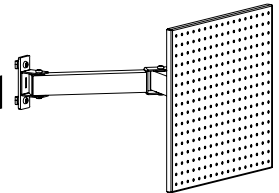
Use 6" deep shelf for small bottles, cloth wipes and frequently used containers. Lip in front of shelf supports storage bins. Includes ports for air fittings.

36"W  
48"W  
60"W  
72"W

8491  
8492  
8493  
8494

• 35 lb weight capacity

NEW



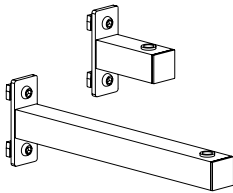
**Peg Board Panel**

Use the Single Arm Peg Board for flexible tool storage at the workstation. With an integrated articulating arm, the Peg Board can easily be moved within an operator's primary work zone. 40 lb weight capacity. 1/4 holes on 1" centers.

17.5"W x 16.5"H,  
19" extension  
17.5"W x 16.5"H,  
24" extension

8649  
8626

• single arm  
• double arm

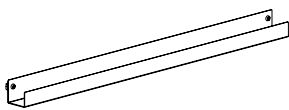


**Universal Mount**

Use with existing magnifiers, task lamps and document holders. Includes 1/2" bore for mounting posts.

4"D  
14"D

8640  
8643

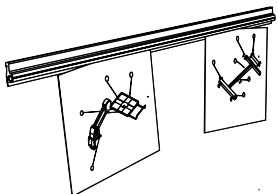


**Cable Trough**

Store cables and improve wire management.

3"D x 36"W  
3"D x 48"W  
3"D x 60"W  
3"D x 72"W

8620  
8621  
8622  
8623



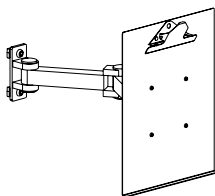
**Document Strip**

Position documents and diagrams for quick reference.

36"W  
48"W

8354  
8351

• adhesive mount



**Document Holder**

Position documents for comfortable review. Attaches to Uprights and includes double swing arm.

10.5"W x 14"H,  
17" extension

8353

# ACCESSORIES > WORKSPACE ORGANIZATION & ENCLOSURES

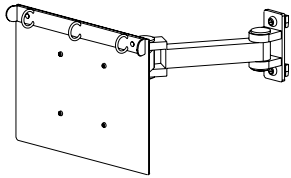
## Product Details

Description

Dimensions

Item Number

Notes

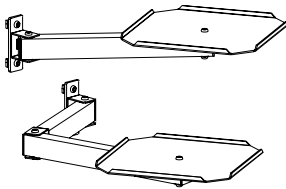


### Binder Holder

Position documents and diagrams within an operator's primary work zone. Includes double swing arm for ergonomic placement.

12"W x 9"H,  
17" extension

8352 • 1" 3-ring locking binder

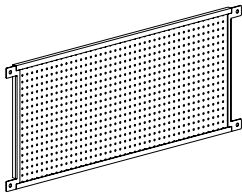


### Tray Arm

Use the Tray Arm to increase working space. Provides an extra square foot of space for work orders, dispensers, label printers, small equipment, monitors, tools or other commonly used items. 40 lb weight capacity.

12.75"D x 12.75"W,  
18" extension  
12.75"D x 12.75"W,  
24" extension

8630 • single arm  
8631 • double arm

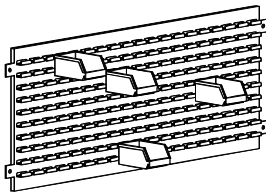


### Peg Board

Metal peg board mounts to workstation frame or Uprights. Use standard peg hooks to hang tools and supplies. 1/4" holes on 1" centers.

36"W x 18"H  
48"W x 18"H  
60"W x 18"H  
72"W x 18"H

8721  
8722  
8723  
8724

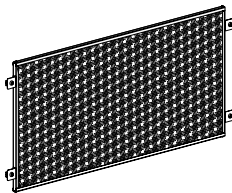


### Bin Panel Enclosure

Mount to workstation frame or uprights to hold bins of any size.

36"W x 19"H  
48"W x 19"H  
60"W x 19"H  
72"W x 19"H

8312  
8313  
8314  
8315



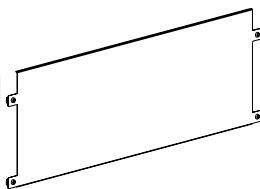
### Tack Board

Engineered with an acoustically neutral core material and durable fabric surface, these tack boards provide a means for enclosing a workspace.

36"W x 20"H  
48"W x 20"H  
60"W x 20"H  
72"W x 20"H  
36"W x 20"H  
48"W x 20"H  
60"W x 20"H  
72"W x 20"H

8729-B • blue  
8730-B • blue  
8733-B • blue  
8735-B • blue  
8729-G • grey  
8730-G • grey  
8733-G • grey  
8735-G • grey

NEW

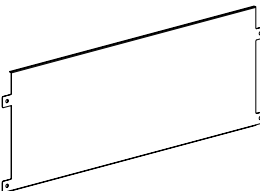


### Magnetic Dry Erase Board

Use standard dry erase markers to write down all the important information about your workday. You can also use magnets to post documents on the steel board.

36"W x 16"H  
48"W x 16"H  
60"W x 16"H  
72"W x 16"H

8716  
8717  
8718  
8719



### C-Leg Modesty Panel

Steel panel mounts to frame below the worksurface for privacy. Color matches frame finish of workstation ordered.

36"W x 16"H  
48"W x 16"H  
60"W x 16"H  
72"W x 16"H

8705  
8709  
8712  
8715 } • compatible with C-Leg Series only

Product Details

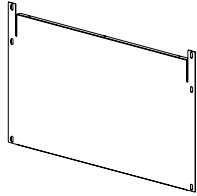
Description

Dimensions

Item Number

Notes

NEW



**Modesty Panel**

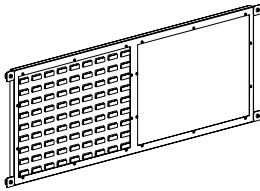
Steel panel mounts to RTW, Easy-Lift 4-post or PedSys frame below the work surface for privacy. Color matches frame finish of workstation ordered.

36"W x 23"H  
48"W x 23"H  
60"W x 23"H  
72"W x 23"H  
96"W x 23"H

8750  
8751  
8752  
8753  
8754

• for use with RTW Table or PedSys Work Bench

NEW



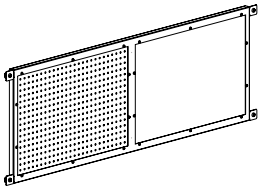
**Bin Panel/Magnetic Dry Erase Board Multi-Panel**

A member of our new Multi-Panel Accessory line, this combination Bin Panel Enclosure and Magnetic Dry Erase Board lets you store tools and supplies using standard storage bins and take notes about them at the same time.

60"W x 20"H  
72"W x 20"H

8784  
8785

NEW



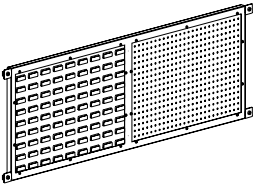
**Peg Board/Magnetic Dry Erase Board Multi-Panel**

This combination Peg Board and Magnetic Dry Erase Board lets you store tools using standard pegs and take notes about them at the same time.

60"W x 20"H  
72"W x 20"H

8788  
8789

NEW



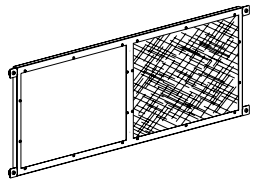
**Peg Board/Bin Panel Multi-Panel**

Using two of the hardest working Enclosures to organize tools and supplies, the Peg Board accepts pegs for tools and the Bin Panel side accepts standard bins. Ideal for assembly-intensive work spaces that require high-volume, high-mix supplies.

60"W x 20"H  
72"W x 20"H

8792  
8793

NEW



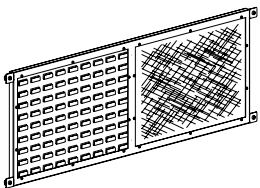
**Magnetic Dry Erase/Tack Board Multi-Panel**

This combination Magnetic Dry Erase Board and Tack Board works great for managers and instruction-intensive tasks at the work table. Either side can be used for notes, documents, messages and reference materials.

60"W x 20"H  
72"W x 20"H  
60"W x 20"H  
72"W x 20"H

8796-B • Blue fabric  
8797-B • Blue fabric  
8796-G • Grey fabric  
8797-G • Grey fabric

NEW



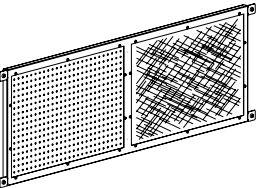
**Tack Board/Bin Panel Multi-Panel**

Part of our new Multi-Panel series, this combination of Tack Board and Bin Panel Enclosure allows you to make the best use of your work bench. One side supports messages and documents. The other side supports storage bins.

60"W x 20"H  
72"W x 20"H  
60"W x 20"H  
72"W x 20"H

8776-B • Blue fabric  
8777-B • Blue fabric  
8776-G • Grey fabric  
8777-G • Grey fabric

NEW



**Tack Board/Peg Board Multi-Panel**

Part of our new Multi-Panel series, this combination of Tack Board and Peg Board provides document storage, tool organization and privacy. Use one side to manage documents and the other to hang tools and supplies on standard pegs.

60"W x 20"H  
72"W x 20"H  
60"W x 20"H  
72"W x 20"H

8780-B • Blue fabric  
8781-B • Blue fabric  
8780-G • Grey fabric  
8781-G • Grey fabric

Product Details

Description

Dimensions

Item Number

Notes

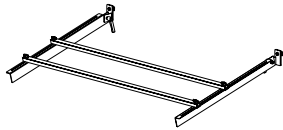
**Paper Roll Holder**



Provides easy access to large foam or packing paper rolls and smaller supplies such as label or tape rolls. Bracket includes 3 depth adjustments to fit operator reach thresholds and roll sizes.

36"W	8740
48"W	8741
60"W	8742
72"W	8743

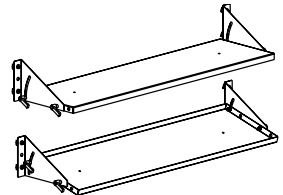
**Slide Line**



Mounts to Uprights to reduce shifting of circuit boards for more precise production. Angle is adjustable for ergonomic positioning of boards up to 16" tall. Aluminum PCB slide rails can be interconnected for a linear set-up.

36"W	8770
48"W	8771
60"W	8772
72"W	8773

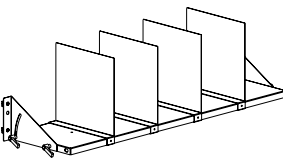
**Universal Shelf**



Versatile shelf can be used like a traditional flat shelf, slide back to extend behind the workstation or tilted up to 30 degrees. A 1-inch lip prevents items from sliding off shelf. Supports up to 125 evenly distributed lbs.

12"D x 36"W	8411
12"D x 48"W	8410
12"D x 60"W	8413
12"D x 72"W	8416
18"D x 36"W	8391
18"D x 48"W	8390
18"D x 60"W	8393
18"D x 72"W	8396
24"D x 36"W	8395
24"D x 48"W	8392
24"D x 60"W	8394
24"D x 72"W	8397

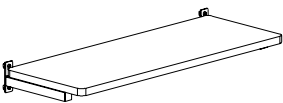
**Universal Shelf Dividers**



Create sections on your Universal Shelf for better organization.

12"D x 12"H	8964	• set of four (4)
18"D x 12"H	8984	• set of four (4)

**Laminate Shelf**



Heavy-duty shelf for applications requiring up to 175 lbs of support. Constructed of industrial grade core with high-pressure plastic laminate. Finished with rounded corners and protective T-mold edge. 1.25" thick.

12"D x 36"W	8449
12"D x 48"W	8450
12"D x 60"W	8455
12"D x 72"W	8457
15"D x 36"W	8419
15"D x 48"W	8420
15"D x 60"W	8423
15"D x 72"W	8426
18"D x 36"W	8418
18"D x 48"W	8427
18"D x 60"W	8428
18"D x 72"W	8429

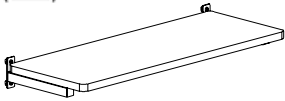
Product Details

Description

Dimensions

Item Number

Notes



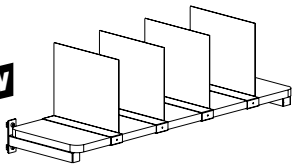
**Laminate Shelf, ESD**

Heavy-duty shelf for applications requiring up to 175 lbs of support and static dissipative laminate. Measures within static dissipative range of 10<sup>6</sup> - 10<sup>9</sup>. Finished with rounded corners and protective T-mold edge. 1.25" thick.

12"D x 36"W	8458
12"D x 48"W	8459
12"D x 60"W	8460
12"D x 72"W	8461
15"D x 36"W	8431
15"D x 48"W	8430
15"D x 60"W	8433
15"D x 72"W	8436
18"D x 36"W	8417
18"D x 48"W	8437
18"D x 60"W	8438
18"D x 72"W	8439

• includes ground bolt & wire

NEW

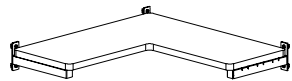


**Laminate Shelf Dividers**

Create sections on your Laminate Shelf for better organization. Shelf not included.

12"D x 12"H	8965
15"D x 12"H	8966
18"D x 12"H	8967

• set of four (4)  
• set of four (4)  
• set of four (4)

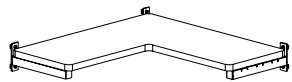


**Laminate Corner Shelf**

Heavy-duty shelf for applications requiring up to 175 lbs of support. Constructed of industrial grade core with high-pressure plastic laminate. Finished with rounded corners and protective T-mold edge. 1.25" thick.

15"D x 36"W	8485
15"D x 48"W	8486

• for use with item number 1415  
• for use with item number 1416

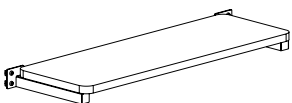


**Laminate Corner Shelf, ESD**

Heavy-duty shelf for applications requiring up to 175 lbs of support. Industrial grade core with ESD laminate, measuring within range of 10<sup>6</sup> to 10<sup>9</sup>. Finished with protective T-mold edge. 1.25" thick. Includes standard ground bolt and wire.

15"D x 36"W	8488
15"D x 48"W	8489

• for use with item number 1515  
• for use with item number 1516

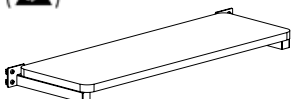


**Laminate Under-surface Shelf**

Provides additional storage space under the worksurface of your C-Leg Station. Industrial grade core with high-pressure plastic laminate. Finished with rounded corners and protective T-mold edge. Supports up to 175 lbs. 1.25" thick.

15"D x 36"W	8441
15"D x 48"W	8440
15"D x 60"W	8443
15"D x 72"W	8446

• compatible with C-Leg Series only



**Laminate Under-surface Shelf, ESD**

Provides additional storage space under the worksurface of your C-leg Station. Industrial grade core with static dissipative laminate, measuring within range of 10<sup>6</sup> to 10<sup>9</sup>. Finished with protective T-mold edge. Supports up to 175 lbs. 1.25" thick.

15"D x 36"W	8444
15"D x 48"W	8445
15"D x 60"W	8448
15"D x 72"W	8447

• compatible with C-Leg Series only  
• includes ground bolt & wire

Product Details

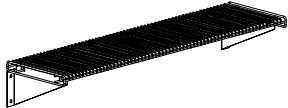
Description

Dimensions

Item Number

Notes

**Wire Shelf**

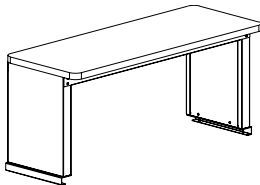


Chrome shelf provides a clean, technical look and allows ambient light to pass through to worksurface. Weight capacity is 75 lbs.

12"D x 36"W  
12"D x 48"W  
12"D x 60"W  
12"D x 72"W

8401  
8400  
8403  
8406

**Riser Shelf**



Mounts to the top of the RTW Table to provide extra workspace and privacy for your operator. Metal shelf frame with standard laminate surface. 200 lb weight capacity.

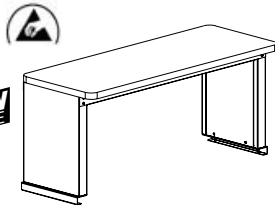
18"D x 48"W  
18"D x 60"W  
18"D x 72"W  
18"D x 96"W

8467  
8468  
8469  
8470

• compatible with RTW Table only

NEW SIZE

**Riser Shelf, ESD**



Mounts to the top of the RTW Table to provide extra workspace and privacy for your operator. Metal shelf frame with ESD laminate surface. 200 lb weight capacity.

18"D x 48"W  
18"D x 60"W  
18"D x 72"W  
18"D x 96"W

8471  
8472  
8473  
8474

• compatible with RTW Table only  
• includes ground bolt & wire

NEW SIZE

**RTW Under-Surface Shelf**



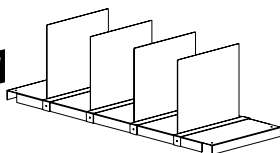
Provides additional storage space under your RTW Table for supplies and tools. Constructed of 14-gauge steel. Supports up to 50 lbs.

14.5"D x 36"W  
14.5"D x 48"W  
14.5"D x 60"W  
14.5"D x 72"W  
14.5"D x 96"W

8479  
8476  
8477  
8478  
8480

• compatible with RTW Table only

**RTW Under-Surface Shelf Dividers**



Organize the storage area under your RTW Table with shelf dividers. Shelf not included.

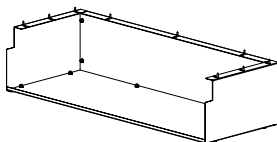
14.5"D x 12"H

8968

• set of four (4)  
• requires RTW Under-Surface Shelf

NEW

**RTW Supply Compartment**



The Supply Compartment keeps your basic packaging supplies handy. Tape, labels, marking pens, wrap, scissors, box cutters and small boxes fit neatly in this 6" high under-surface shelf. Dimensions refer to minimum recommended workstation size.

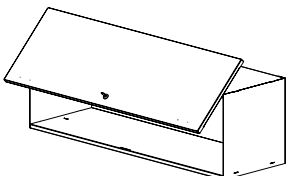
15"D x 48"W x 6"H  
15"D x 60"W x 6"H  
15"D x 72"W x 6"H

8497  
8498  
8499

• compatible with RTW Table only

NEW

**Storage Cabinet**



Locking cabinet mounts over your worksurface for convenient document and file storage. Mounts to frame or Uprights. Smooth motion door flips over the top of cabinet. Supports up to 50 lbs.

36"W  
48"W  
60"W

8553  
8552  
8551

• includes lock



Product Details

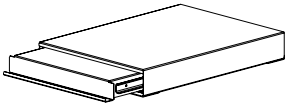
Description

Dimensions

Item Number

Notes

Drawers and Cabinets featured below are compatible with **C-Leg & Easy-Lift, Dual-Leg Series** workstations. For more information on product compatibility, see chart on page 57 or contact Production Basics.



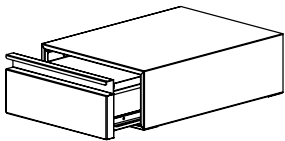
**Writing Shelf/3" Drawer**

Use as either a 3" drawer with full extension for storage or flip over for a retractable writing shelf. Provides extra workspace that can be stowed under the worksurface. Stackable with other drawer units.

19"D x 14"W x 3"H

8600

- compatible with C-Leg Series and Easy-Lift Dual Leg tables only
- reversible drawer/writing shelf



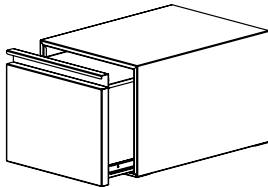
**6" Drawer**

Full extension drawer constructed with heavy gauge steel for durability and ball bearing drawer slides for easy movement. Stackable with other drawer units.

19"D x 14"W x 6"H

8605

- compatible with C-Leg Series and Easy-Lift Dual Leg tables only



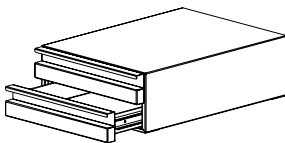
**12" Drawer**

Full extension drawer constructed with heavy gauge steel for durability and ball bearing drawer slides for easy movement. Accepts hanging file folders. Stackable with other drawer units.

19"D x 14"W x 12"H

8610

- compatible with C-Leg Series and Easy-Lift Dual Leg tables only



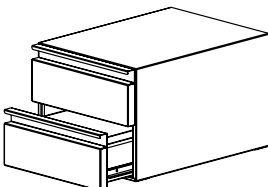
**3" Double Drawer**

One chassis supports two (2) 3" drawers. Full extension drawer constructed with heavy gauge steel for durability and ball bearing drawer slides for easy movement. Stackable with other drawer units.

19"D x 14"W x 6"H

8607

- compatible with C-Leg Series and Easy-Lift Dual Leg tables only



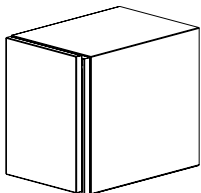
**6" Double Drawer**

One chassis supports two (2) 6" drawers. Full extension drawer constructed with heavy gauge steel for durability and ball bearing drawer slides for easy movement. Stackable with other drawer units.

19"D x 14"W x 12"H

8613

- compatible with C-Leg Series and Easy-Lift Dual Leg tables only



**Suspended Cabinet**

The Suspended Cabinet hangs under the worksurface of your C-Leg or Easy-Lift Dual Leg workstation. Stackable with other drawer units for a total of 24" inches of storage space.

19"D x 14"W x 18"H

8615

19"D x 14"W x 18"H

8617

- hinged right
- hinged left
- compatible with C-Leg Series and Easy-Lift Dual Leg tables only

NEW



Product Details

Description

Dimensions

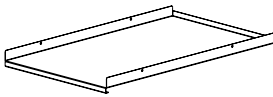
Item Number

Notes

Drawers and Cabinets featured below are compatible with  
**C-Leg & Easy-Lift, Dual-Leg Series workstations.**

For more information on product compatibility, see chart on page 57 or contact  
Production Basics.

NEW



**Fixed Shelf**

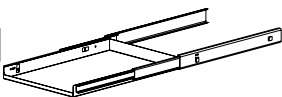
Create sections in your Suspended or PedSys Cabinet with up to three (3) Fixed Shelves. Can be installed in the field and used with Suspended Cabinet or PedSys Storage Packages that include cabinets.

19"D x 14"W

8612

• requires Suspended Cabinet or PedSys Storage Package

NEW



**Pull-out Shelf**

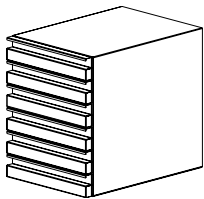
Create sections in your Suspended Cabinet or PedSys Cabinet with up to three (3) Pull-out shelves. Can be installed in the field and used with Suspended Cabinet or PedSys Storage Packages that include cabinets.

19"D x 14"W

8619

• requires Suspended Cabinet or PedSys Storage Package

NEW



**Suspended Drawer**

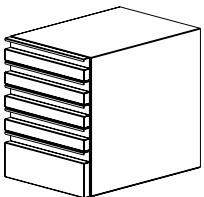
One chassis supports six (6) 3" drawers. Full extension drawer constructed with heavy gauge steel for durability and ball bearing drawer slides. Stackable with other drawer units.

19"D x 14"W x 18"H

8840

• compatible with C-Leg Series and Easy-Lift Dual Leg tables only

NEW



**Suspended Drawer**

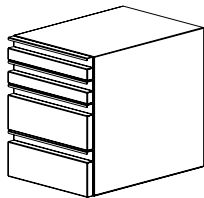
One chassis supports four (4) 3" and one (1) 6" drawer. Full extension drawer constructed with heavy gauge steel for durability and ball bearing drawer slides. Stackable with other drawer units.

19"D x 14"W x 18"H

8842

• compatible with C-Leg Series and Easy-Lift Dual Leg tables only

NEW



**Suspended Drawer**

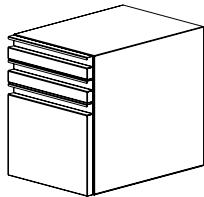
One chassis supports two (2) 3" and two (2) 6" drawers. Full extension drawer constructed with heavy gauge steel for durability and ball bearing drawer slides. Stackable with other drawer units.

19"D x 14"W x 18"H

8844

• compatible with C-Leg Series and Easy-Lift Dual Leg tables only

NEW



**Suspended Drawer**

One chassis supports two (2) 3" and one (1) 12" drawer. Full extension drawer constructed with heavy gauge steel for durability and ball bearing drawer slides. Stackable with other drawer units.

19"D x 14"W x 18"H

8846

• compatible with C-Leg Series and Easy-Lift Dual Leg tables only

Product Details

Description

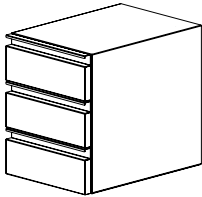
Dimensions

Item Number

Notes

Drawers and Cabinets featured below are compatible with **C-Leg & Easy-Lift, Dual-Leg Series workstations.** For more information on product compatibility, see chart on page 57 or contact Production Basics.

NEW



**Suspended Drawer**

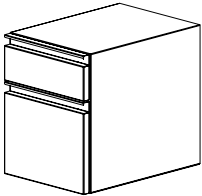
One chassis supports three (3) 6" drawers. Full extension drawer constructed with heavy gauge steel for durability and ball bearing drawer slides. Stackable with other drawer units.

19"D x 14"W x 18"H

8848

• compatible with C-Leg Series and Easy-Lift Dual Leg tables only

NEW



**Suspended Drawer**

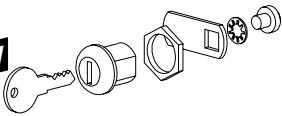
One chassis supports one (1) 6" and one (1) 12" drawer. Full extension drawer constructed with heavy gauge steel for durability and ball bearing drawer slides. Stackable with other drawer units.

19"D x 14"W x 18"H

8850

• compatible with C-Leg Series and Easy-Lift Dual Leg tables only

NEW



**Drawer/Cabinet Lock Set**

Secure drawers and storage packages larger than 3" with a lock. To choose locks keyed alike, choose your quantity of the same key cut. For locks keyed differently, choose any combination of key cuts.

Key Cut A	6800
Key Cut B	6801
Key Cut C	6802
Key Cut D	6803
Key Cut E	6804
Key Cut F	6805
Key Cut G	6806
Key Cut H	6807
Key Cut I	6808
Key Cut J	6809

• not compatible with 3" drawers

Product Details

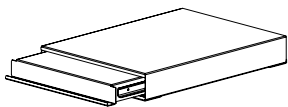
Description

Dimensions

Item Number

Notes

Drawers and Cabinets featured below are compatible with **RTW Tables and Easy Lift, 4-post Series workstations.** For more information on product compatibility, see chart on page 57 or contact Production Basics.



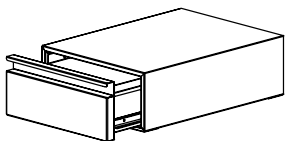
**Writing Shelf/3" Drawer with Mounting Kit**

Use as either a 3" drawer with full extension for storage or flip over for a retractable writing shelf. Provides extra workspace that can be stowed under the worksurface. Stackable with other drawer units.

19"D x 14"W x 3"H

8601

- compatible with RTW and Easy-Lift 4-post tables only
- reversible drawer/writing shelf



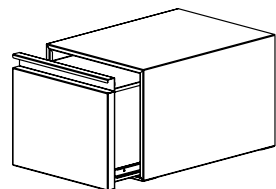
**6" Drawer with Mounting Kit**

Full extension drawer constructed with heavy gauge steel for durability and ball bearing drawer slides for easy movement. Stackable with other drawer units.

19"D x 14"W x 6"H

8606

- compatible with RTW and Easy-Lift 4-post tables only



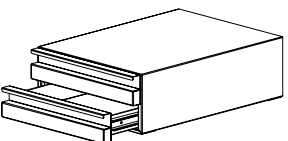
**12" Drawer with Mounting Kit**

Full extension drawer constructed with heavy gauge steel for durability and ball bearing drawer slides for easy movement. Accepts hanging file folders. Stackable with other drawer units.

19"D x 14"W x 12"H

8611

- compatible with RTW and Easy-Lift 4-post tables only



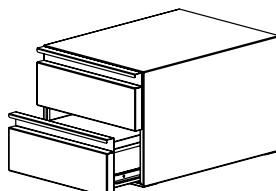
**3" Double Drawer with Mounting Kit**

One chassis supports two (2) 3" drawers. Full extension drawer constructed with heavy gauge steel for durability and ball bearing drawer slides for easy movement. Stackable with other drawer units.

19"D x 14"W x 6"H

8608

- compatible with RTW and Easy-Lift 4-post tables only



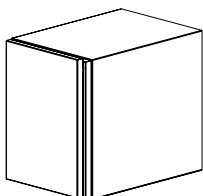
**6" Double Drawer with Mounting Kit**

One chassis supports two (2) 6" drawers. Full extension drawer constructed with heavy gauge steel for durability and ball bearing drawer slides for easy movement. Stackable with other drawer units.

19"D x 14"W x 12"H

8614

- compatible with RTW and Easy-Lift 4-post tables only



**Suspended Cabinet with Mounting Kit**

The Suspended Cabinet hangs under the worksurface of your RTW Table or Easy-Lift 4-Post workstation. Stackable with other drawer units for a total of 24" inches of storage space.

19"D x 14"W x 18"H

8616

- hinged right

19"D x 14"W x 18"H

8618

- hinged left
- compatible with RTW and Easy-Lift 4-post tables only

NEW

Product Details

Description

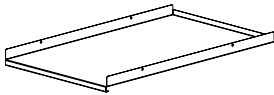
Dimensions

Item Number

Notes

Drawers and Cabinets featured below are compatible with RTW Tables and Easy Lift, 4-post Series workstations. For more information on product compatibility, see chart on page 57 or contact Production Basics.

NEW



**Fixed Shelf**

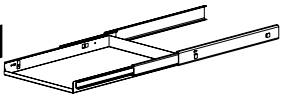
Create sections in your Suspended or PedSys Cabinet with up to three (3) Fixed Shelves. Can be installed in the field and used with Suspended Cabinet or PedSys Storage Packages that include cabinets.

19"D x 14"W

8612

• requires Suspended Cabinet or PedSys Storage Package

NEW



**Pull-out Shelf**

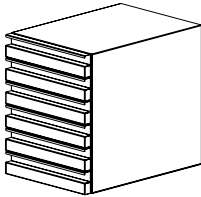
Create sections in your Suspended Cabinet or PedSys Cabinet with up to three (3) Pull-out shelves. Can be installed in the field and used with Suspended Cabinet or PedSys Storage Packages that include cabinets.

19"D x 14"W

8619

• requires Suspended Cabinet or PedSys Storage Package

NEW



**Suspended Drawer with Mounting Kit**

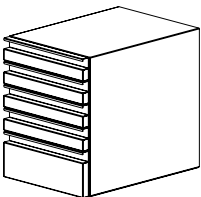
One chassis supports six (6) 3" drawers. Full extension drawer constructed with heavy gauge steel for durability and ball bearing drawer slides. Stackable with other drawer units.

19"D x 14"W x 18"H

8841

• compatible with RTW and Easy-Lift 4-post tables only

NEW



**Suspended Drawer with Mounting Kit**

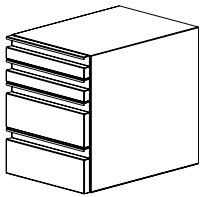
One chassis supports four (4) 3" and one (1) 6" drawer. Full extension drawer constructed with heavy gauge steel for durability and ball bearing drawer slides. Stackable with other drawer units.

19"D x 14"W x 18"H

8843

• compatible with RTW and Easy-Lift 4-post tables only

NEW



**Suspended Drawer with Mounting Kit**

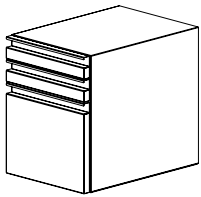
One chassis supports two (2) 3" and two (2) 6" drawers. Full extension drawer constructed with heavy gauge steel for durability and ball bearing drawer slides. Stackable with other drawer units.

19"D x 14"W x 18"H

8845

• compatible with RTW and Easy-Lift 4-post tables only

NEW



**Suspended Drawer with Mounting Kit**

One chassis supports two (2) 3" and one (1) 12" drawer. Full extension drawer constructed with heavy gauge steel for durability and ball bearing drawer slides. Stackable with other drawer units.

19"D x 14"W x 18"H

8847

• compatible with RTW and Easy-Lift 4-post tables only

Product Details

Description

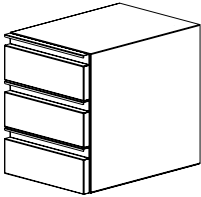
Dimensions

Item Number

Notes

Drawers and Cabinets featured below are compatible with **RTW Tables and Easy Lift, 4-post Series workstations.** For more information on product compatibility, see chart on page 57 or contact Production Basics.

NEW



**Suspended Drawer with Mounting Kit**

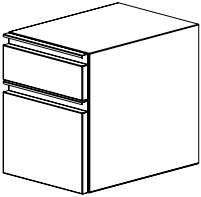
One chassis supports three (3) 6" drawers. Full extension drawer constructed with heavy gauge steel for durability and ball bearing drawer slides. Stackable with other drawer units.

19"D x 14"W x 18"H

8849

• compatible with RTW and Easy-Lift 4-post tables only

NEW



**Suspended Drawer with Mounting Kit**

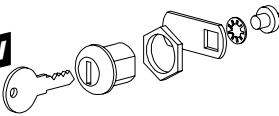
One chassis supports one (1) 6" drawer and one (1) 12" drawer. Full extension drawer constructed with heavy gauge steel for durability and ball bearing drawer slides. Stackable with other drawer units.

19"D x 14"W x 18"H

8851

• compatible with RTW and Easy-Lift 4-post tables only

NEW



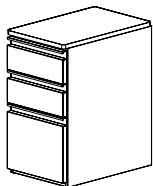
**Drawer/Cabinet Lock Set**

Secure drawers and storage packages larger than 3" with a lock. To choose locks keyed alike, choose your quantity of the same key cut. For locks keyed differently, choose any combination of key cuts.

- Key Cut A
- Key Cut B
- Key Cut C
- Key Cut D
- Key Cut E
- Key Cut F
- Key Cut G
- Key Cut H
- Key Cut I
- Key Cut J

- 6800
- 6801
- 6802
- 6803
- 6804
- 6805
- 6806
- 6807
- 6808
- 6809

• not compatible with 3" drawers



**Free Standing Drawer Units**

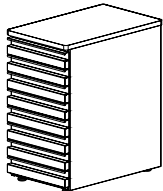
Stand-alone drawer module with leveling feet and a melamine top. Includes two (2) 6" drawers and one (1) 12" drawer.

23.5"D x 14.5"W x 27"H

8570

• 2-6" + 1-12" drawers

NEW



**Free Standing Drawer Units**

Stand-alone drawer module with leveling feet and a melamine top. Includes eight (8) 3" drawers.

23.5"D x 14.5"W x 27"H

8571

• 8-3" drawers

Product Details

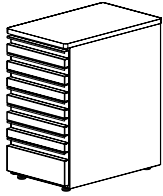
Description

Dimensions

Item Number

Notes

NEW



**Free Standing Drawer Units**

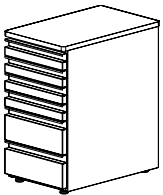
Stand-alone drawer module with leveling feet and a melamine top. Includes six (6) 3" drawers and one (1) 6" drawer.

23.5"D x 14.5"W x 27"H

8572

• 6-3" + 1 6" drawers

NEW



**Free Standing Drawer Units**

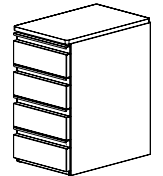
Stand-alone drawer module with leveling feet and a melamine top. Includes four (4) 3" drawers and two (2) 6" drawers.

23"D x 14.5"W x 27"H

8573

• 4-3" + 2-6" drawer

NEW



**Free Standing Drawer Units**

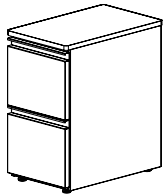
Stand-alone drawer module with leveling feet and a melamine top. Includes four (4) 6" drawers.

23"D x 14.5"W x 27"H

8574

• 4-6" drawers

NEW



**Free Standing Drawer Units**

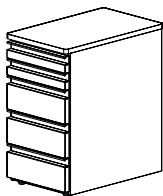
Stand-alone drawer module with leveling feet and a melamine top. Includes two (2) 12" drawers.

23"D x 14.5"W x 27"H

8575

• 2-12" drawers

NEW



**Free Standing Drawer Units**

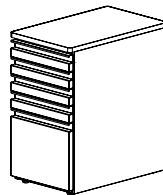
Stand-alone drawer module with leveling feet and a melamine top. Includes two (2) 3" drawers and three (3) 6" drawers.

23.5"D x 14.5"W x 27"H

8576

• 2-3" drawers + 3-6" drawers

NEW



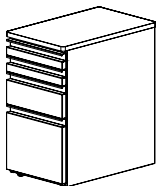
**Free Standing Drawer Units**

Stand-alone drawer module with leveling feet and a melamine top. Includes four (4) 3" drawers and one (1) 12" drawer.

23"D x 14.5"W x 27"H

8577

• 4-3" drawers + 1-12" drawer



**Free Standing Drawer Units**

Stand-alone drawer module with leveling feet and a melamine top. Includes two (2) 3" drawers, one (1) 6" drawer and one (1) 12" drawer.

23"D x 14.5"W x 27"H

8578

• 2-3" drawers + 1-6" drawer + 1-12" drawer

Product Details	Description	Dimensions	Item Number	Notes
NEW	<p><b>Free Standing Drawer Units</b>                      One (1) 24" stand-alone cabinet module with leveling feet and a melamine top. Includes one (1) Pull-Out Shelf.</p>	23"D x 14.5"W x 27"H	8590	<ul style="list-style-type: none"> <li>• 1-24" cabinet</li> <li>• hinged left</li> </ul>
NEW	<p><b>Free Standing Drawer Units</b>                      Stand-alone cabinet and drawer combination with leveling feet and a melamine top. Includes two (2) 3" drawers and one (1) 18" cabinet with one (1) Pull-Out Shelf.</p>	23"D x 14.5"W x 27"H	8591	<ul style="list-style-type: none"> <li>• 2-3" drawers + 1-18" cabinet</li> <li>• hinged left</li> </ul>
NEW	<p><b>Free Standing Drawer Units</b>                      Stand-alone cabinet and drawer combination with leveling feet and a melamine top. Includes one (1) 6" drawer and one (1) 18" cabinet with one (1) Pull-Out Shelf.</p>	23"D x 14.5"W x 27"H	8592	<ul style="list-style-type: none"> <li>• 1-6" drawer + 1-18" cabinet</li> <li>• hinged left</li> </ul>
NEW	<p><b>Free Standing Drawer Units</b>                      One (1) 24" stand-alone cabinet module with leveling feet and a melamine top. Includes one (1) Pull-Out Shelf.</p>	23"D x 14.5"W x 27"H	8593	<ul style="list-style-type: none"> <li>• 1-24" cabinet</li> <li>• hinged right</li> </ul>
NEW	<p><b>Free Standing Drawer Units</b>                      Stand-alone cabinet and drawer combination with leveling feet and a melamine top. Includes two (2) 3" drawer and one (1) 18" cabinet with one (1) Pull-Out Shelf.</p>	23"D x 14.5"W x 27"H	8594	<ul style="list-style-type: none"> <li>• 2-3" drawers + 1-18" cabinet</li> <li>• hinged right</li> </ul>
NEW	<p><b>Free Standing Drawer Units</b>                      Stand-alone cabinet and drawer combination with leveling feet and a melamine top. Includes one (1) 6" drawer and one (1) 18" cabinet with one (1) Pull-Out Shelf.</p>	23"D x 14.5"W x 27"H	8595	<ul style="list-style-type: none"> <li>• 1-6" drawer + 1-18" cabinet</li> <li>• hinged right</li> </ul>
NEW	<p><b>Free Standing Drawer Caster Option</b>                      Create a mobile pedestal drawer with 2" dual wheel casters. Increases height of Free Standing Drawer Units to 28.75". Set of four (4).</p>	2"	8969	



Product Details

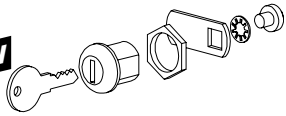
Description

Dimensions

Item Number

Notes

NEW



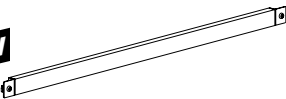
**Drawer/Cabinet Lock Set**

Secure drawers and storage packages larger than 3" with a lock. To choose locks keyed alike, choose your quantity of the same key cut. For locks keyed differently, choose any combination of key cuts.

Key Cut A	6800
Key Cut B	6801
Key Cut C	6802
Key Cut D	6803
Key Cut E	6804
Key Cut F	6805
Key Cut G	6806
Key Cut H	6807
Key Cut I	6808
Key Cut J	6809

• not compatible with 3" drawers

NEW

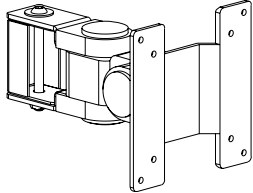


**Universal Mounting Bar**

Use the Universal Mounting Bar to attach accessories to your workstation.

36"W	8675
48"W	8676
60"W	8677
72"W	8678

NEW



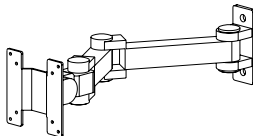
**Flat Screen Monitor Bracket**

The Flat Screen Monitor Bracket allows you to add large or multiple computer monitors to your workstation at any height. Supports VESA compliant flat screen monitors with 75mm and 100 mm mounting areas.

8635

• requires Universal Mounting Bar

NEW SIZE



**Flat Screen Monitor Arm**

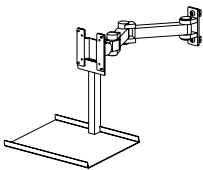
Position flat screen monitors at any height at the workstation. Two-piece articulating arm and swivel mounting plate allows for flexible adjustment. Arm supports VESA compliant flat screen monitors with 75mm and 100 mm mounting areas.

17" extension
29" extension

8632  
8634

• for use with VESA compliant monitors

NEW SIZE



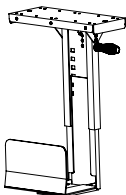
**Flat Screen Monitor Arm Add-on Keyboard**

Position keyboard near flat screen monitor and off the worksurface to keep workstation organized.

8.75"D x 14"W

8633

• for use with Flat Screen Monitor Arm, not included



**CPU Holder**

Mounts under the worksurface of any table with a flat mounting area. Features smooth slide and rotation for easy access to cords and ports. Includes 2 holding brackets to accommodate computer sizes from 2.75"-9.25".

8482

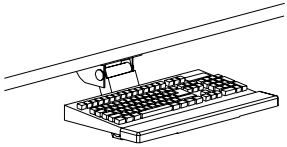
Product Details

Description

Dimensions

Item Number

Notes

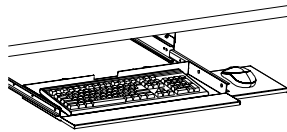


**Adjustable Keyboard Support**

Mounts under the worksurface of any table with a flat mounting area. Retractable with height and 15 degree angle adjustment and features a built-in wrist rest. Accepts keyboard with dimensions up to 12"x19".

12"D x 19"W,  
13" extension

8680

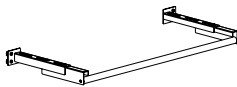


**Keyboard Drawer**

Mounts under the worksurface of any table with a flat mounting area. Retractable with built-in wrist rest and 8" square mouse tray. Accepts a keyboard with dimensions up to 8"x 21".

8"D x 21"W,  
12" extension

8681



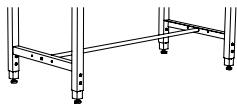
**Adjustable Tube Footrest**

Fully adjustable in height and depth for optimal operator comfort. Attaches to the C-Leg workstation frame.

36"W  
48"W  
60"W  
72"W

8664  
8665  
8666  
8667

• compatible with C-Leg Series only



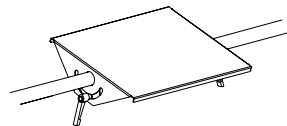
**Tube Footrest**

Attaches to RTW or Easy-Lift 4 Post Frame in one of three positions. Relieves back pressure and improves operator comfort.

36"W  
48"W  
60"W  
72"W  
96"W

8654  
8655  
8656  
8657  
8658

• compatible with RTW Table or Easy-Lift 4-post



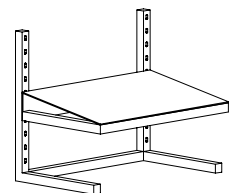
**Footrest Plate**

Position along Tube Footrest for increased operator comfort. Adjusts to any angle.

12"D x 16"W

8668

• requires C-Leg Tube Footrest OR  
• requires RTW Tube Footrest



**Free Standing Footrest**

Adjustable footrest with an angled platform. Height adjustable from 1.5" to 15".

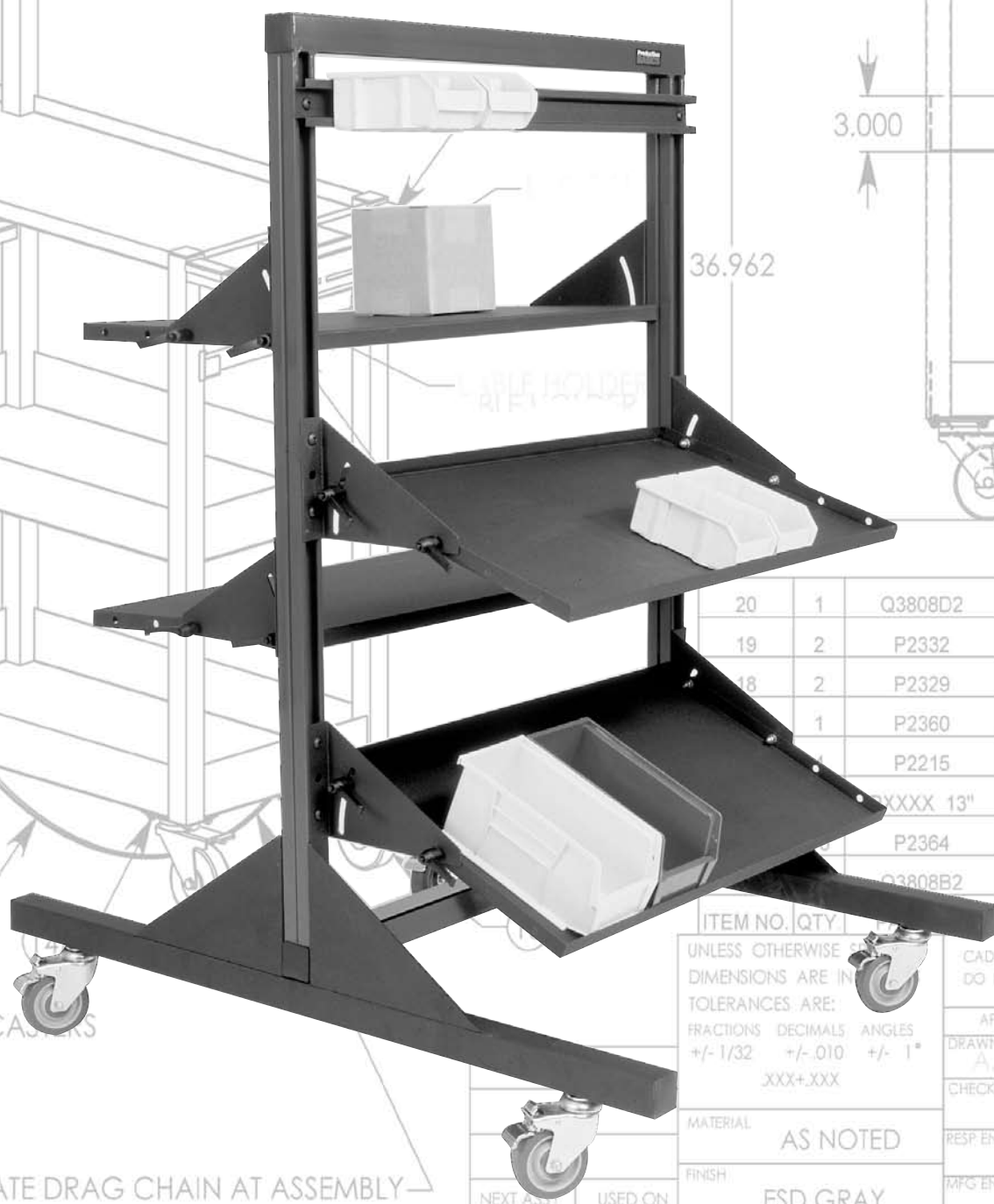
12"D x 20"W

8659

# Custom Products

Production Basics has many standard workstation configurations and accessories that help you enhance productivity in your facility and laboratory. Sometimes, it's a special task, process, piece of equipment or client project that will push your facility to the next level of efficiency.

When your needs require more attention, our Custom Workstation department is ready to help. Our engineers can create high-quality workstations with special materials, sizes, finishes and configurations to fit your requirements. Call a Workstation Specialist to discuss your needs so we can start engineering a workstation solution that works for you.



**General Information - Custom Products**

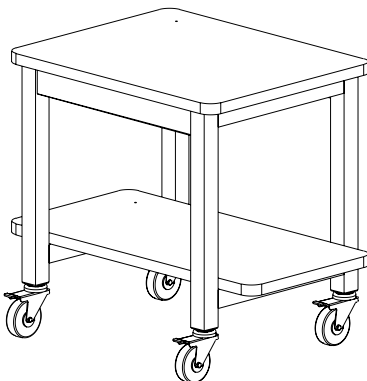
- Custom Options are non-standard workstation and related products designed and manufactured to customer specifications.
- Engineering drawings of custom items may be available upon request.
- Specifications for custom items must be approved by the customer before manufacture.
- All sales on custom items are final. Return Merchandise Authorizations are not issued for custom items.
- Production Basics provides workstations and accessory bundles in our Solution Series, available exclusively on-line at <http://solution.pbasics.com>.

Take a look at some of the successful custom workstation projects we've completed on pages 78-83. If you have a similar application, give us a call and we can start engineering a solution for you. To start from scratch, consider some of your project elements below, then contact us for a consultation.

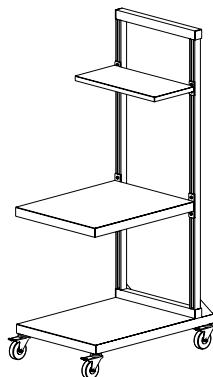
- What is your application?
- What are some of your requirements: weight capacity, size, materials, function?
- What is the facility/department layout?
- What input have you received from other departments, operators or managers?
- What is the quantity?
- What is your project time frame?
- Is there a similar Production Basics standard or custom item?
- If needs include material conveyance, what is the size and weight of the material?
- Does the unit need to be mobile?
- Do you require height adjustability? What range?
- What type of accessories will you need?

**Carts**

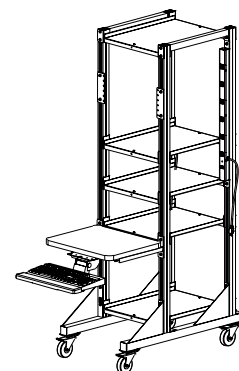
When your goal is to save time and energy in your facility, but you need more than an off-the-shelf product, look inside at the full spectrum of carts we've designed and manufactured for many industries.



**Custom Transport Cart**

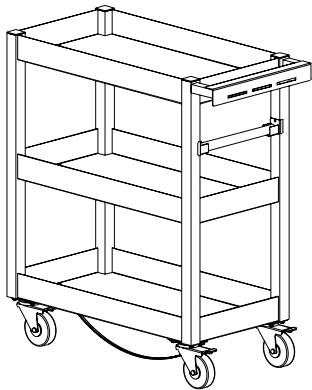


**Custom Shelving Cart**

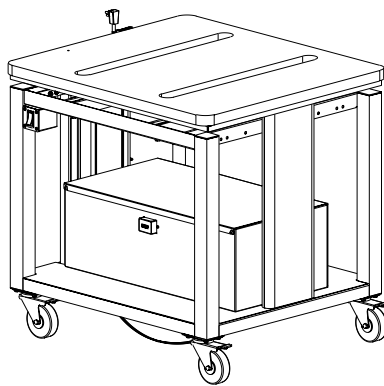


**Custom Power & Shelving Cart**

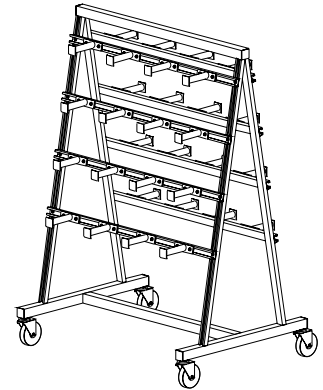
Carts



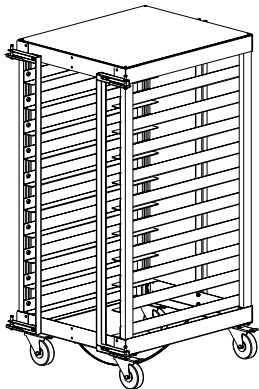
**Custom Cart with Label Distribution**



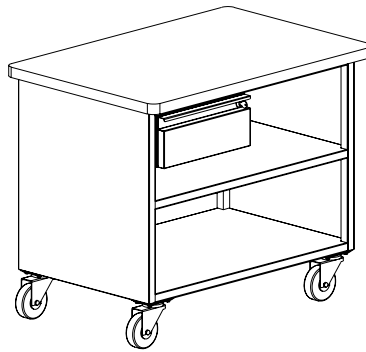
**Custom Powered Cart**



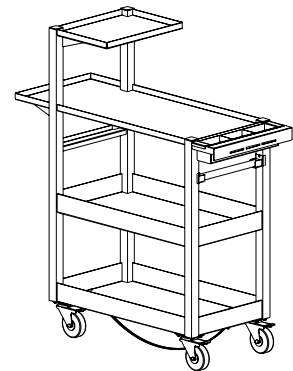
**Custom Hanger Post Cart**



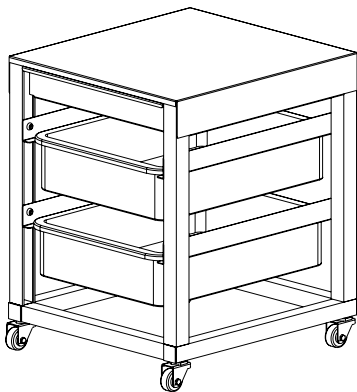
**Custom Printed Circuit Board Cart**



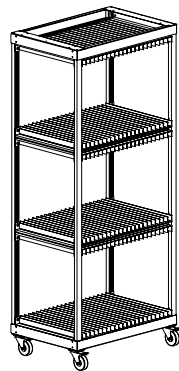
**Custom Storage Cart**



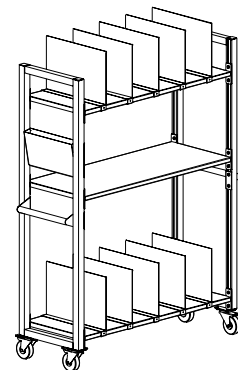
**Custom Distribution Center Cart**



**Custom Tote Cart**



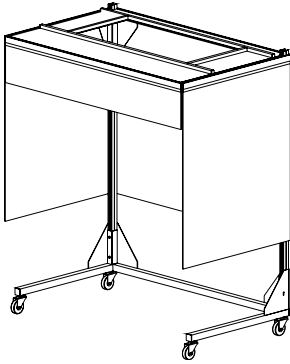
**Custom PCB Stencil Cart**



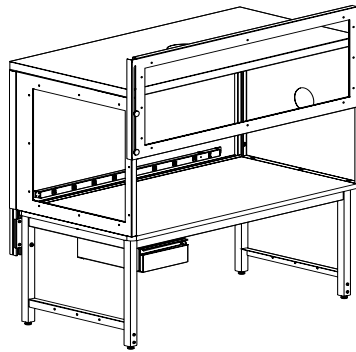
**Custom Packing Supply Cart**

**Fume Management**

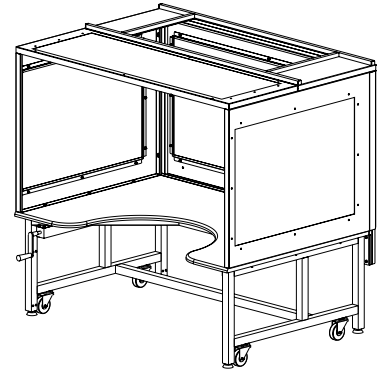
When health and safety are at the top of the list, our fume hoods and booths offer industrial-sized help. Take a look at a few examples that we have designed for our customers.



**Custom Portable Fume Hood**



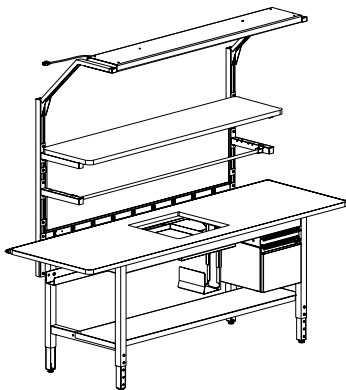
**Custom Fume & Particle Containment**



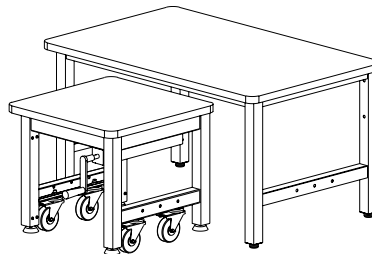
**Custom Ergonomic Fume Workstation**

**Work Tables**

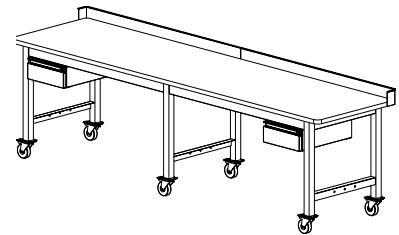
Have a specific job to do, a requirement that has been tough to fill, or a department that has customized needs? Here are handfuls of workstation ideas that increase productivity. This workstation collection features custom height adjustability, framing, shapes and sizes.



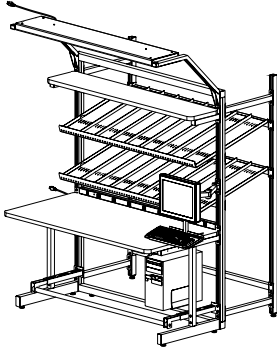
**Custom Work Table with Worksurface Cut-out**



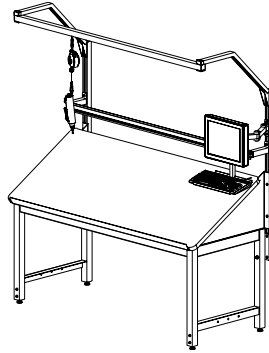
**Custom Work Table with Adjustable Scale Table**



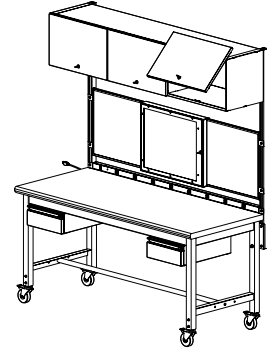
**Custom Dual Operator Workstation**



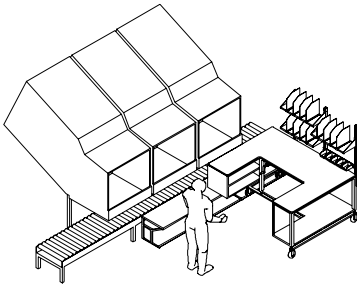
**Custom Picking Workstation**



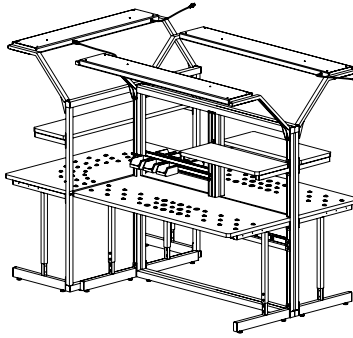
**Custom Drafting Table**



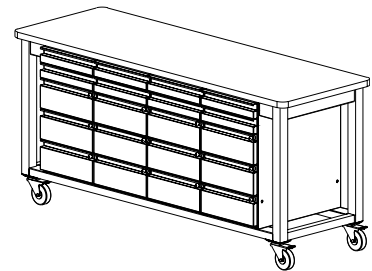
**Custom Storage Work Bench**



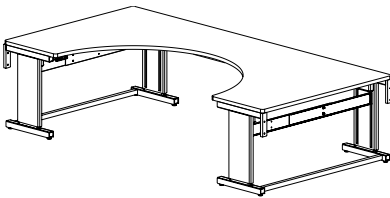
**Custom Fulfillment Work Center**



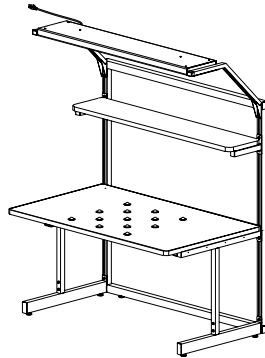
**Custom Box Build Workstation**



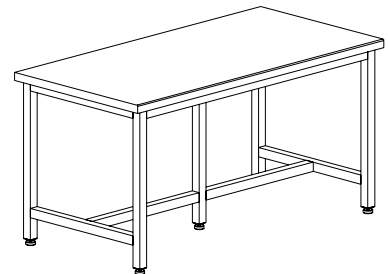
**Custom Counter with Drawers**



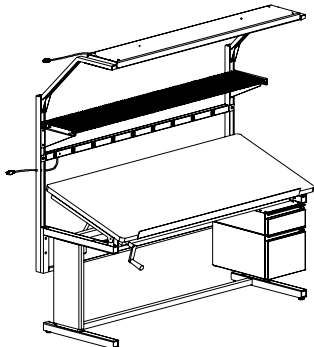
**Custom Adjustable U-Shaped Work Center**



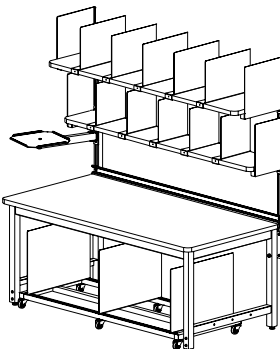
**Custom Ball Transfer Work Table**



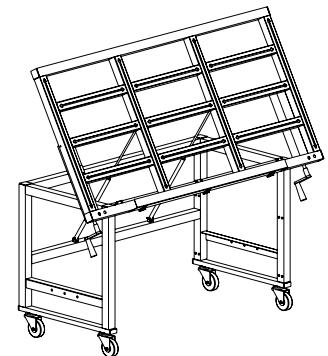
**Custom Heavy-Duty Work Table**



**Custom Tilt Table**



**Custom Packaging Bench**

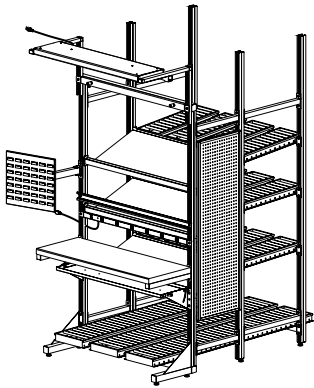


**Custom Harness Board Table**

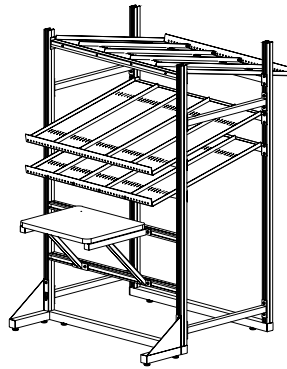


**Material Handling & Shelving**

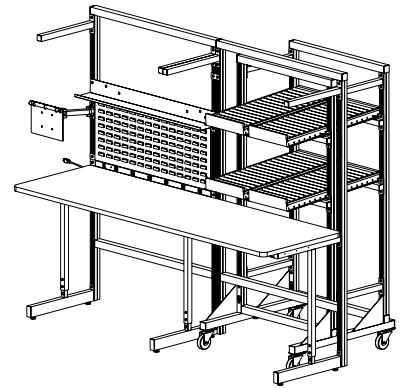
When lean manufacturing and efficient material flow is needed within your facility, browse our Flow Racks and material handling solutions. We work with you to make sure products are engineered to fit all aspects of your work precisely, including people, product, process and facility.



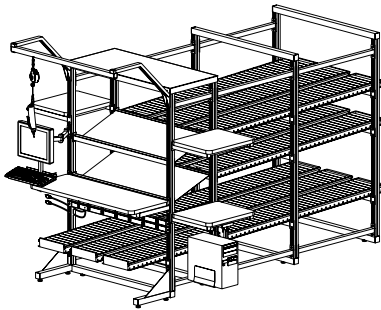
**Custom Flow Rack with Pick Level**



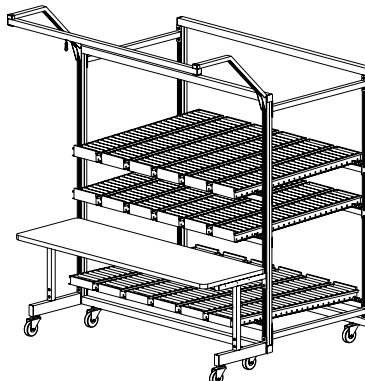
**Custom Flow Rack with Bin Dividers**



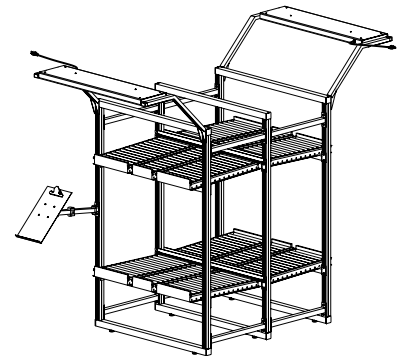
**Custom Workbench with Nesting Flow Rack**



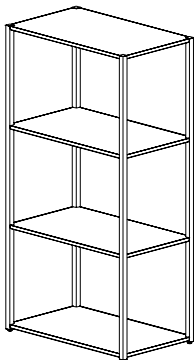
**Custom Long Run Flow Rack**



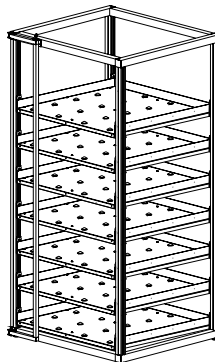
**Custom Flow Workstation**



**Custom Dual Side Flow Rack**



**Custom Welded Shelving Unit**



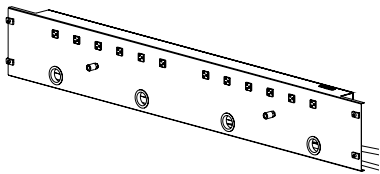
**Custom Storage with Ball Transfer Shelves**



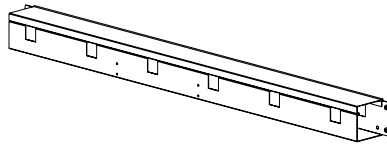
**Custom Moveable Shelving**

**Accessories**

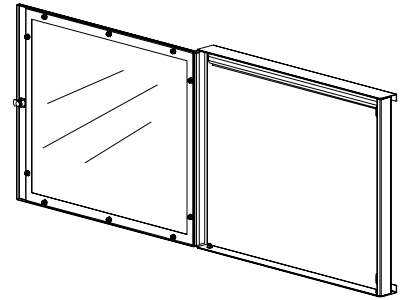
Specialized accessories are the perfect solution to make sure everything you need is where you want it. Check out our custom shelves, footrests, utility delivery and storage items to spark ideas about accessories that can make your job easier and more organized.



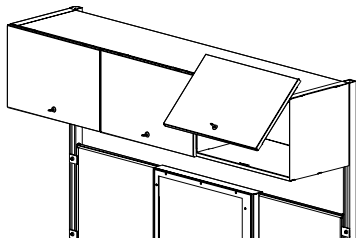
**Custom Utility Distribution**



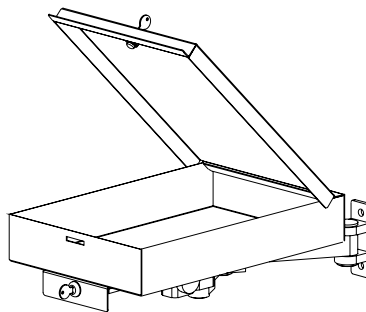
**Custom Cable Management**



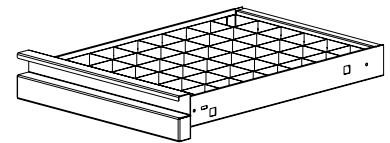
**Custom Secure Shadow Box**



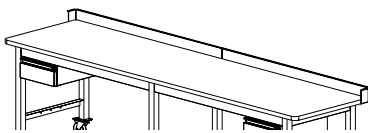
**Custom 3-Bay Overhead Cabinet**



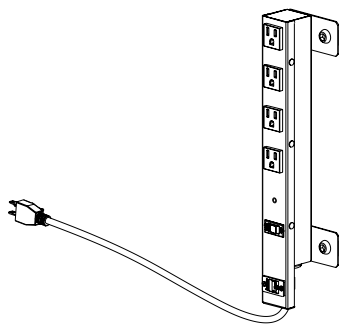
**Custom Bench Lock Box**



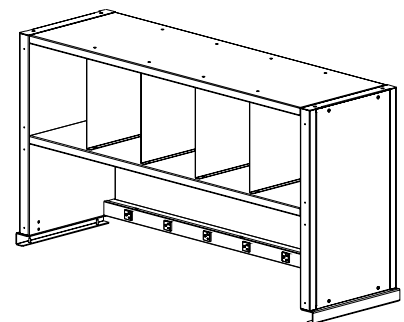
**Custom Drawer Divider**



**Custom Workstation Backsplash**



**Custom Side-Mount Power & RJ-45 Bar**



**Custom Riser Shelf with Dividers**

## The Fine Print

### **Payment Terms**

NET 30.

### **Prices**

Prevailing at the time of shipment unless otherwise noted.

### **Colors**

Unless otherwise noted, stock frame color is Blue. Other colors available are Grey, White, Almond and Black. Stock color for standard laminate worksurfaces is White. Stock color for ESD laminate is Grey. Other laminate colors available upon request at no additional charge are Grey and Beige standard laminate; Beige and White ESD laminate. Custom laminate colors are available at an additional charge. Optional color schemes are available and must be specified at the time of order.

### **Minimum Order**

\$100

### **Special Orders/Custom Options**

All items listed in this price list are standard. Any variation to these standard items, including frame or laminate color, must be special ordered. Please consult with us about your requirements. Returns of special order/custom products are not accepted.

### **Orders and Cancellations**

All orders must be placed through a Production Basics authorized distributor. Verbal purchase orders are not accepted. Products ship knocked-down (KD) by truck. FOB Billerica, MA. Changes and cancellations may not be accepted after an order is placed with Production Basics. For assistance with your workstation choices prior to placing an order, call Production Basics or your authorized distributor.

### **Product Improvements**

Production Basics reserves the right to change the details of design, material and finish in any way that will not reduce function or performance.

### **Discontinued Products**

Product specifications featured in this Product Specifier are available at the time of printing. Production Basics reserves the right to discontinue products at any time for any reason.

### **Returns**

NO MERCHANDISE WILL BE ACCEPTED FOR RETURN WITHOUT PRODUCTION BASICS' PRIOR APPROVAL. Return Merchandise Authorizations (RMA) must be requested by the customer within ten (10) days of receipt of merchandise. Returned goods must be sent freight prepaid within 30 days of the issuance of an RMA. Returns will be subject to a 25% restocking charge. RMAs are NOT issued for custom products.

### **Shortages and Damages**

Upon receipt of product, check against bill of lading for correct number of pieces and inspect for obvious damage before signing delivery receipt. Shortages, errors and damage must be reported to Production Basics within 24 hours of receipt of merchandise. Any damage claims must be filed with carriers immediately upon receipt. Do not destroy packaging materials; they must be available for inspection by the carrier. Production Basics will cooperate with the purchaser on filed claims.

### **Warranty**

This warranty covers any defect in material or workmanship in mechanical or structural parts given normal use and care. With the exceptions noted, this warranty lasts ten (10) years from the original date of purchase for all parts and components manufactured by Production Basics. Production Basics, Inc. will replace or repair the item without any cost for parts within the time frame noted from the original date of purchase: LED Bulbs- Warranty not covered by Production Basics. Contact bulb manufacturer within five (5) days of defect identification.

Easy Lift Series- One (1) year.

All other Products- Ten (10) years.

### **What is Not Covered**

This warranty does not cover damage by misuse, accident, unauthorized repair or modification. Also, consequential and incidental damages (including but not limited to: lost profits, lost sales and injury to property) are not recoverable under this warranty. Some states do not allow the exclusion or limitation of incidental or consequential damages, so the above limitation or exclusion may not apply to you. This warranty is the exclusive express warranty and any representations or promises inconsistent with, or in addition to, this warranty are unauthorized and shall not be binding on Production Basics, Inc. Finally, THE IMPLIED WARRANTIES OF MERCHANTABILITY AND FITNESS FOR A PARTICULAR PURPOSE ARE LIMITED IN DURATION FOR A PERIOD OF TEN YEARS FROM THE DATE OF PURCHASE BY THE ORIGINAL CONSUMER. Some states do not allow limitations on how long an implied warranty lasts so the above limitation or exclusion may not apply to you.

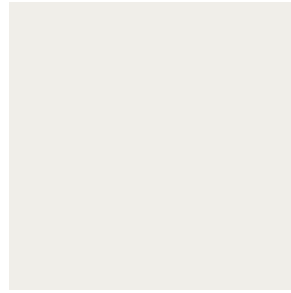
### **Service**

To obtain repair or replacement under this warranty, you must contact Production Basics, Inc., informing us of the defect.

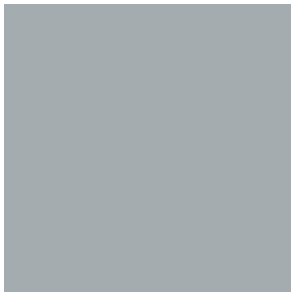
**FRAME COLORS:**



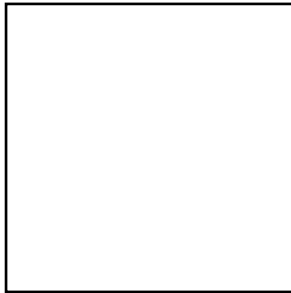
Blue\*



Almond



Grey

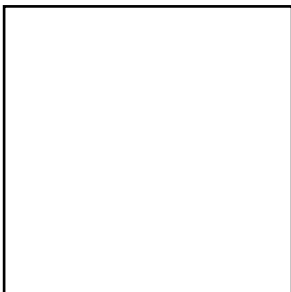


White

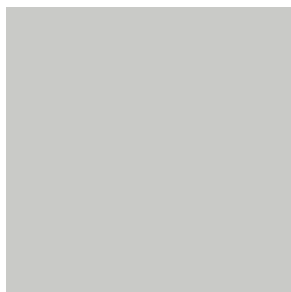


Black

**LAMINATE COLORS:**



White\*

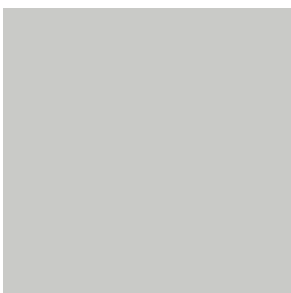


Grey



Beige

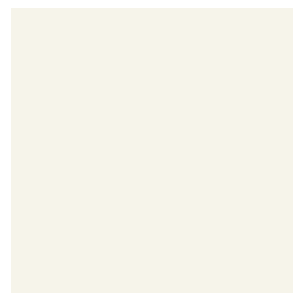
**ESD LAMINATE COLORS:**



Grey\*



Beige



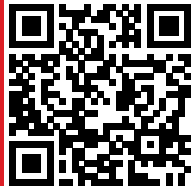
White

\* Stock colors. Colors shown here may vary slightly from actual product. For specific color matches, samples are available. Call Production Basics at 800.318.2770.

PB12

**Production**  
**BASICS**

View newest product



specifications on-line

at [pbasics.com](http://pbasics.com)

31 Dunham Road Billerica, MA 01821 USA  
800.318.2770 617.926.8100 f: 617.926.8010  
[sales@pbasics.com](mailto:sales@pbasics.com) [www.pbasics.com](http://www.pbasics.com)